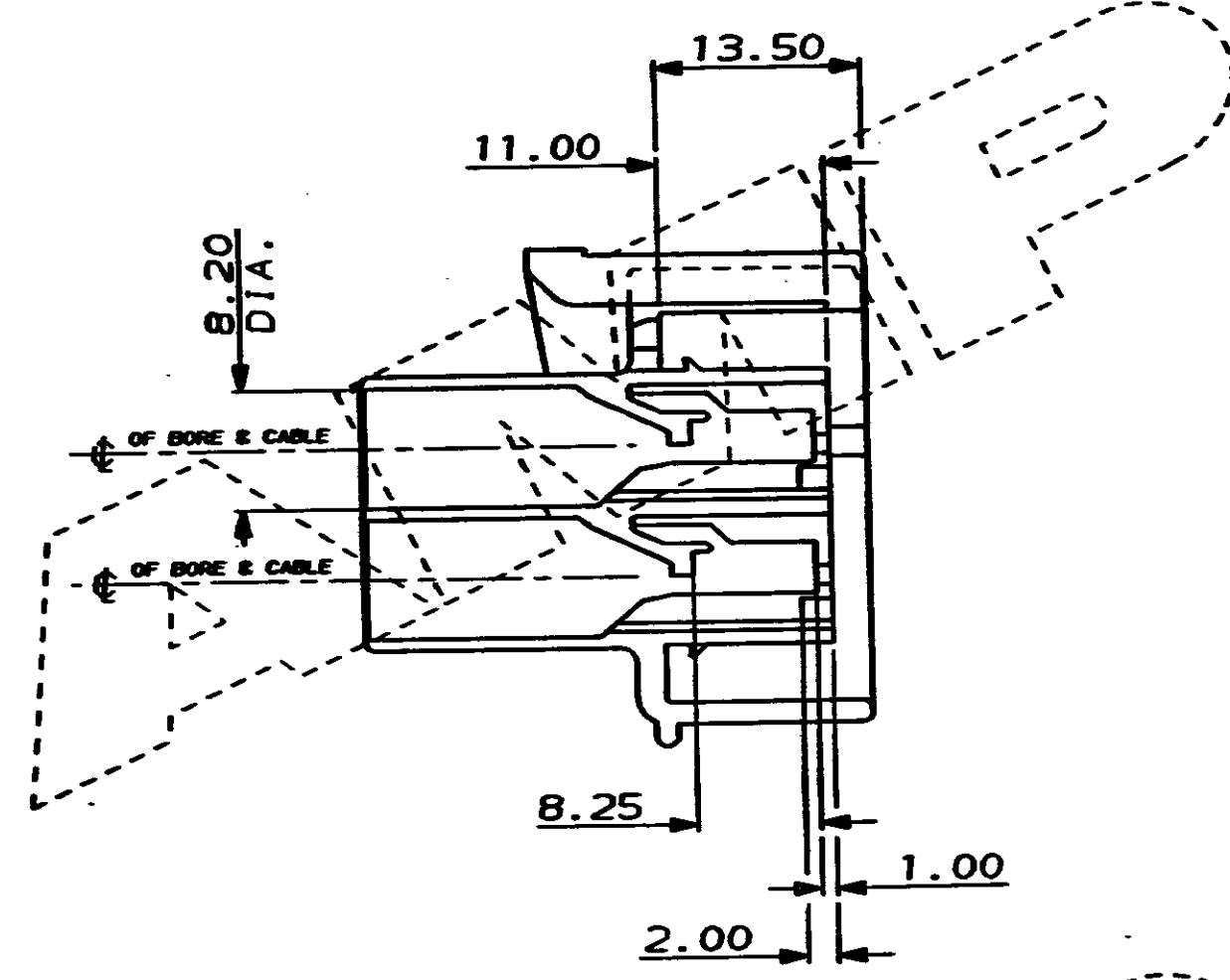
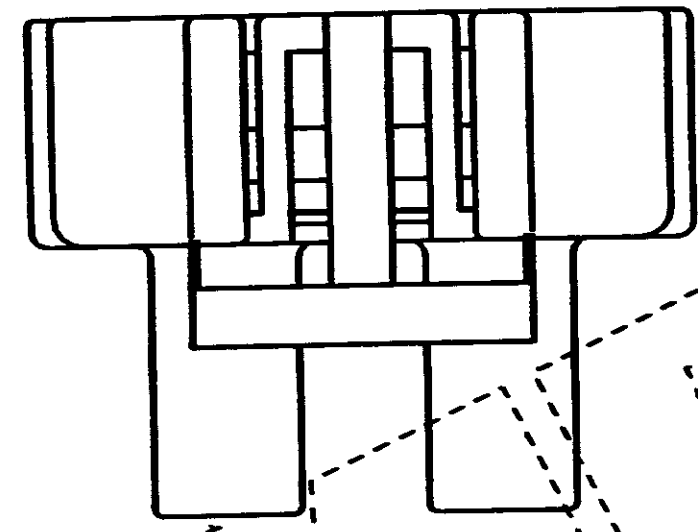


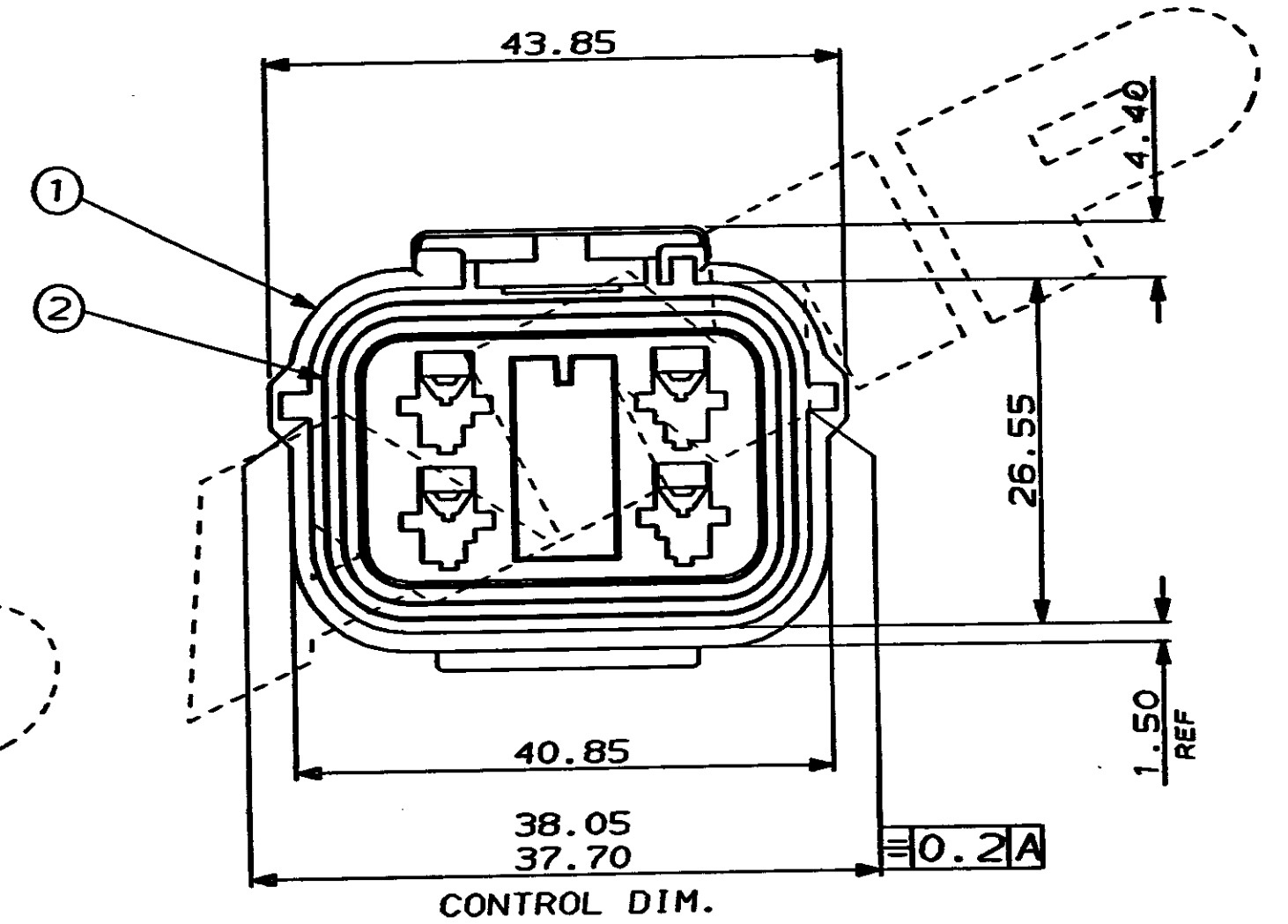
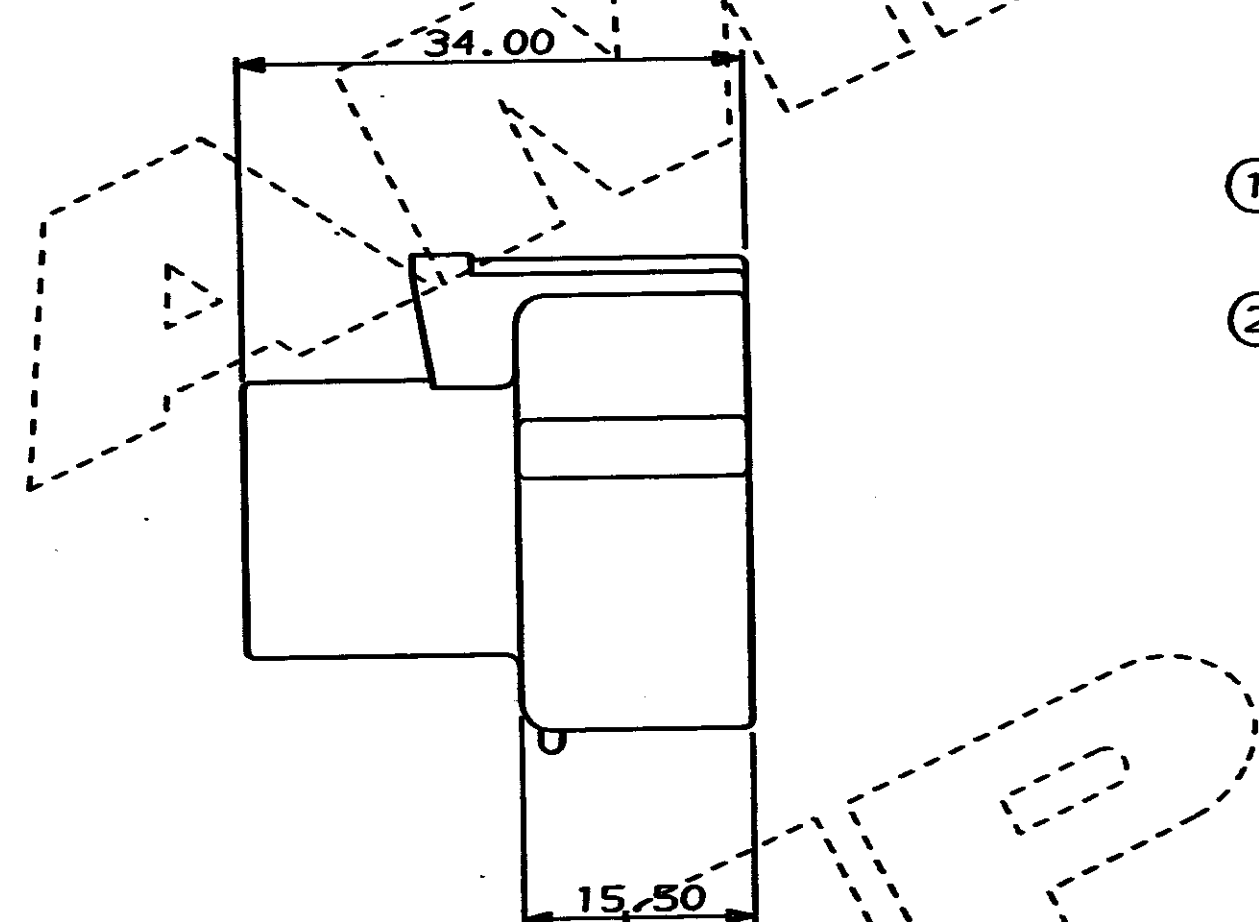
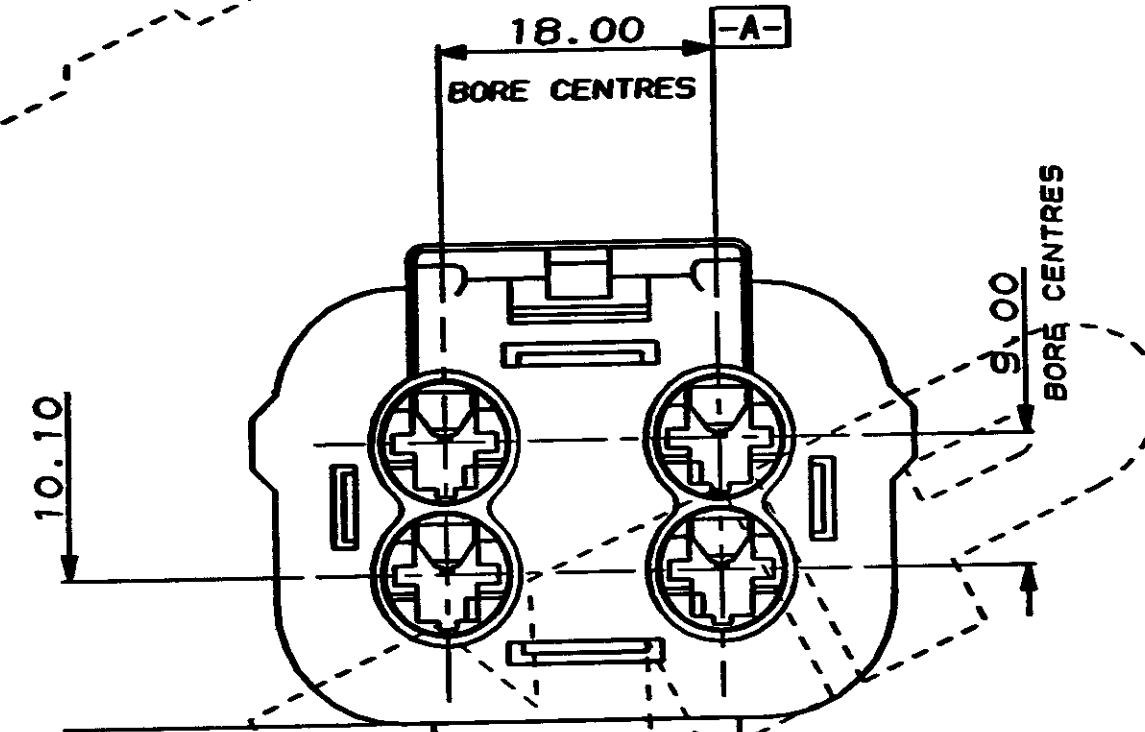
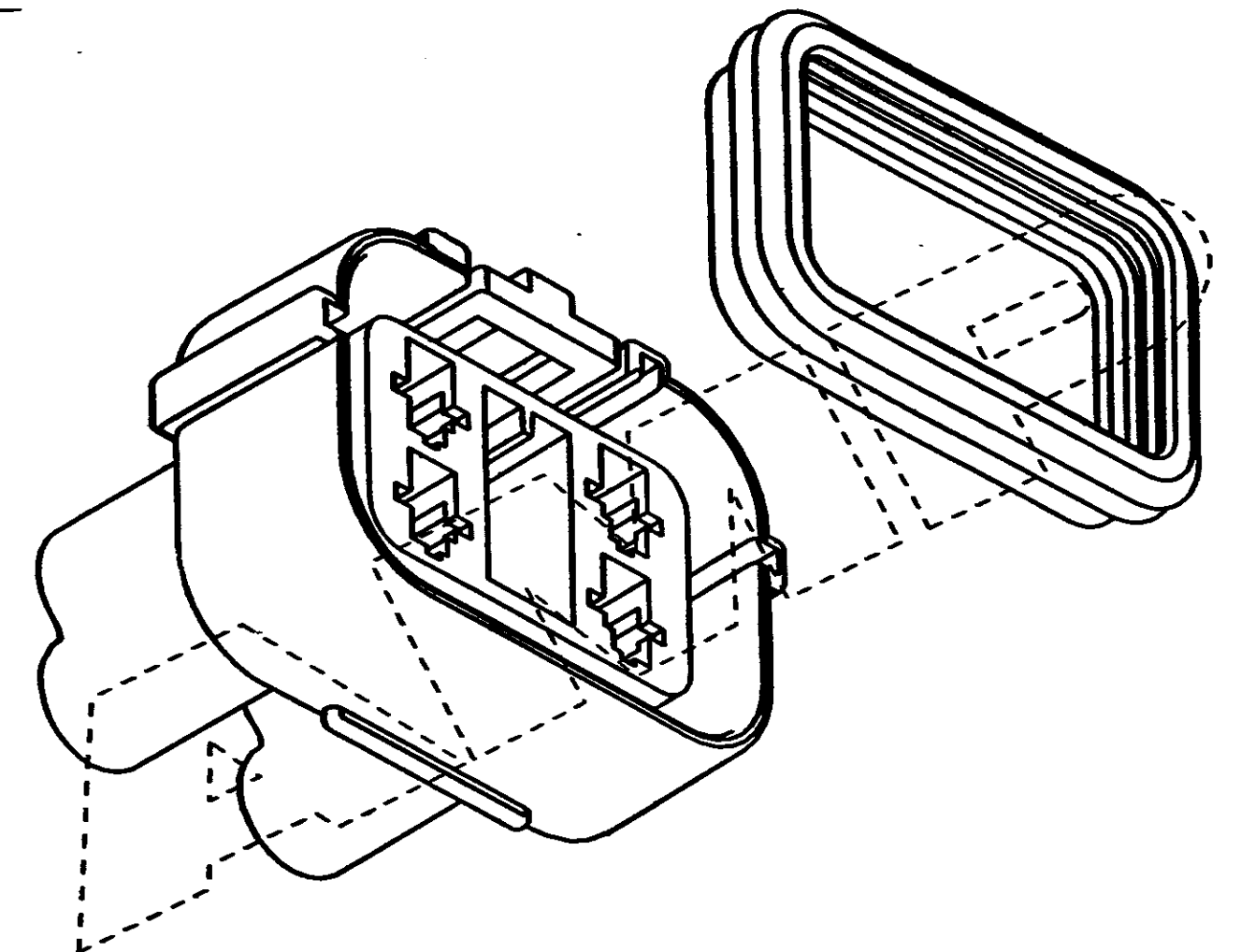
C.A.D. FILE CODE  
S. C344080.C

DO NOT SCALE

DIMENSIONS IN MM.



SCRAP VIEW (SEAL NOT SHOWN)



ITEM No.	MATERIAL	PART No.	DESCRIPTION	QTY. PER ASSY.	ASSEMBLY PART No.
2		344083-1	PERIPHERAL SEAL	1	344080-4 (WHITE)
1	NYLON 66	344077-4	4 WAY REC. HSG.	1	344080-3 (BLUE)
2		344083-1	PERIPHERAL SEAL	1	344080-2 (RED)
1	NYLON 66	344077-3	4 WAY REC. HSG.	1	344080-1 (BLACK)
2		344083-1	PERIPHERAL SEAL	1	
1	NYLON 66	344077-2	4 WAY REC. HSG.	1	
2		344083-1	PERIPHERAL SEAL	1	
1	NYLON 66	344077-1	4 WAY REC. HSG.	1	

CUSTOMER DWG FOR REFERENCE ONLY				© COPYRIGHT 1987 BY AMP OF GREAT BRITAIN LTD. RELEASED FOR PUBLICATION ALL INTERNATIONAL RIGHTS RESERVED. ALL PRODUCTS 24/06/87 MAY BE COVERED BY BRITISH AND FOREIGN PATENTS AND/OR PATENTS PENDING.			
TOLERANCES UNLESS OTHERWISE STATED		DR. MWADE		APP. B. J.		24/06/87	
DEC ± 0.5		CH. R. J. S.		AMP		TERMINAL HOUSE STANNORE MIDDX.	
ANGLES ± 1°		NAME		4 WAY RECEPTACLE HSG ASSY ECONOSEAL 3 HIGH CURRENT			
C	ADDED -2, -3 & -4	CS988	4.12.81	SCALE	LOC	SIZE	DWG. No.
B	UPDATED	CS241	14.6.80	2/1	E	A2	C344080
A	UPDATED	CS908	20.7.80	REV	APPROVED	ECN	DATE
D	REL. FOR PROD.	C6755	24.2.80	2			
REV	APPROVED	ECN	DATE	3			
				2			
				1			