

## Key Features

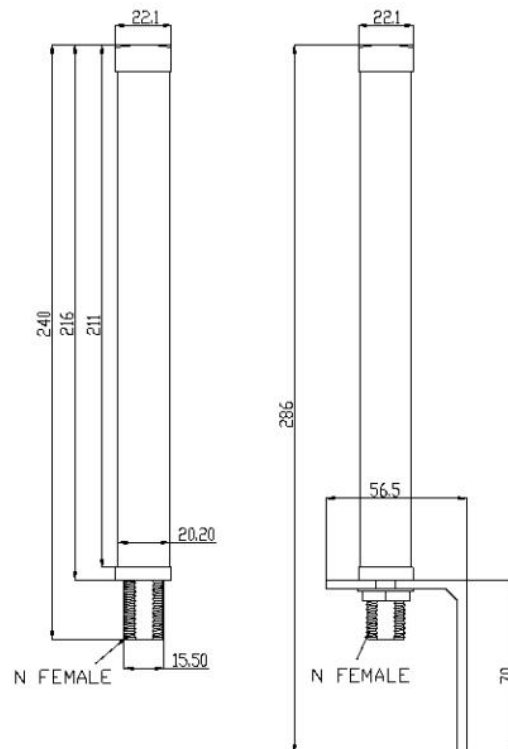
- Very compact wall or pole mount antenna
- 2300-2700 - gain 3dBi
- 1710-2180MHz - gain 3dBi
- 790-862MHz - gain 1dBi
- 240mm length
- Fully weatherproof
- Compatible with 3G and 4G bands
- Compatible with 2.4/2.5GHz WiFi

## General Description

The Oscar 41 concept is of a very compact bracket or pole mounted antenna for the 3G and 4G frequency bands. The gain has been maximised to the upper frequency bands and enables great performance without having the normal very long antenna length. The Oscar 41 is substantially made and comes with wall bracket included.

The Oscar 41 is fully weatherproof and can be used in extreme climates/ remote places with no attention.

Using the Siretta low loss RF cables very long distance from antenna to connected receiver/transmitter makes this a very usable antenna for 4G/3G applications. The Oscar 41 can also be used for 2.4GHz WiFi applications.



## Ordering Details

Part Number	Description
OSCAR41/x/NTYPEF/S/S/29	Compact 3G, 4G and WiFi Omnidirectional Antenna with N-Type Female Connector

### Key Specifications - Electrical

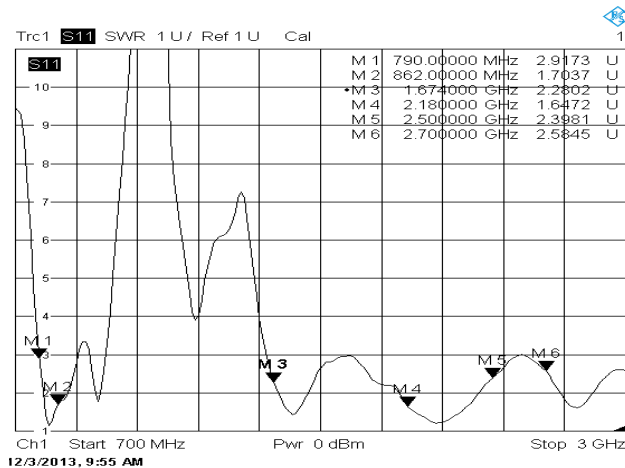
Impedance:	50ohm $\pm$ 5ohm
VSWR:	$\leq 3$
Gain:	1 / 3 / 3dBi
Frequency range:	790 - 862 / 1710 - 2180 / 2300 - 2700MHz
H-plane:	360°
E-plane:	790 - 862MHz: 79° 1710 - 2180MHz: 36° 2300 - 2700MHz: 24°
Max power:	10 Watt
Polarization:	Vertical

### Key Specifications - Mechanical

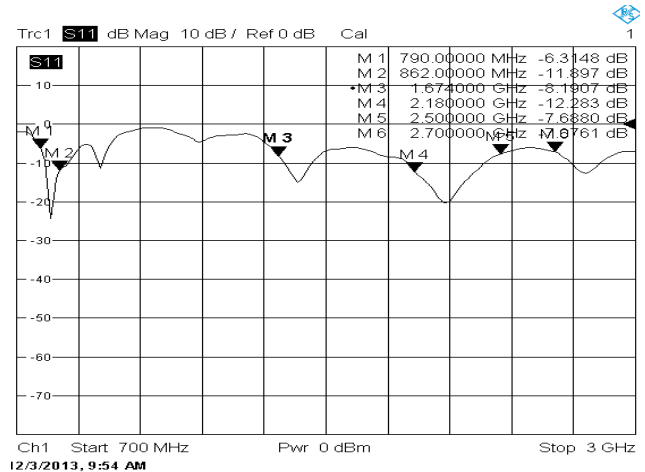
Operating temperature:	-30 to +60°C
Dimensions:	$\varnothing 22 \times 240\text{mm} \pm 5\text{mm}$
Weight:	89g $\pm$ 4g
Connector:	N-Type Female
Material radome:	Radome - ABS
RoHS compliant:	Yes

### Test Reports

#### VSWR



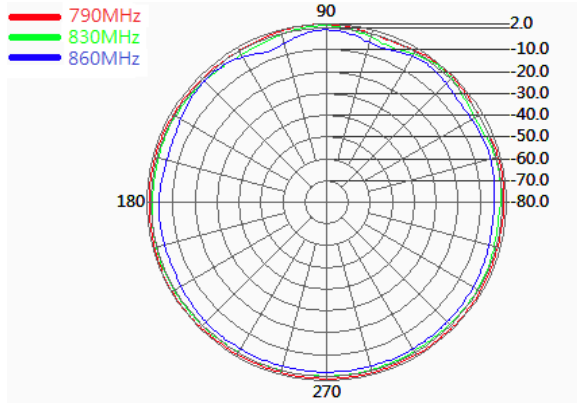
#### S11



## Radiation Pattern

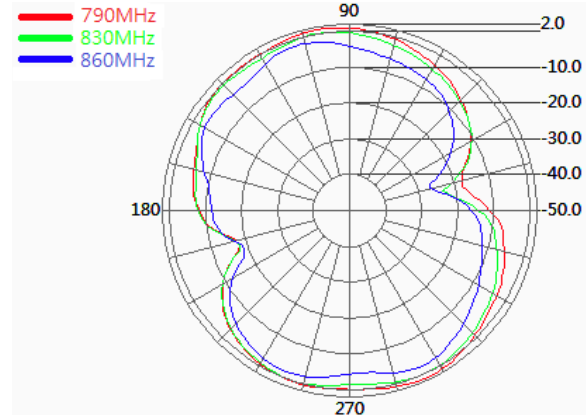
H Plane

790-862MHz

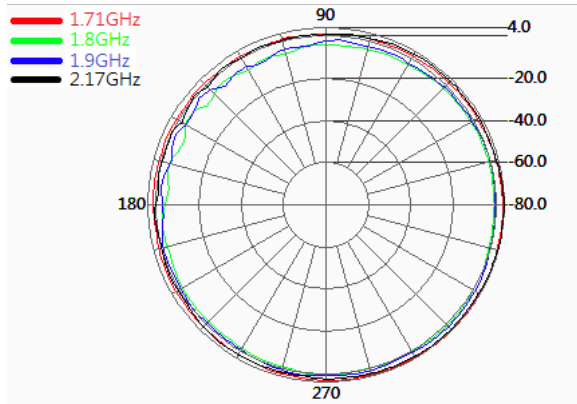


E Plane

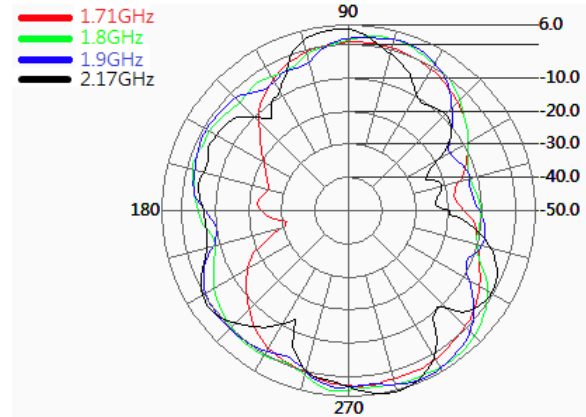
790-862MHz



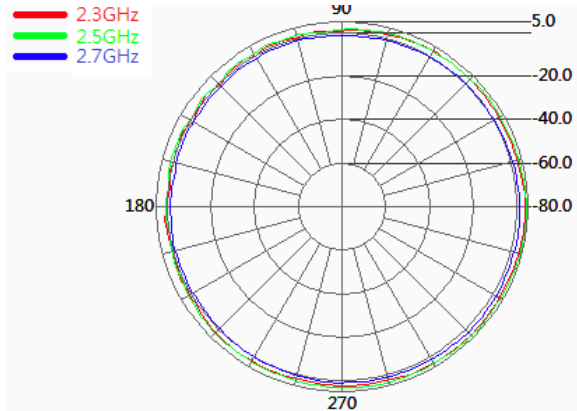
1710 - 2180MHz



1710 - 2180MHz



2300 - 2700MHz



2300 - 2700MHz

