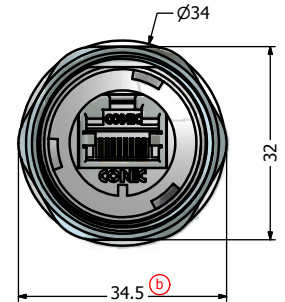
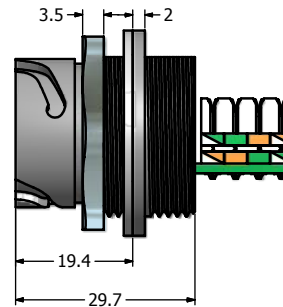
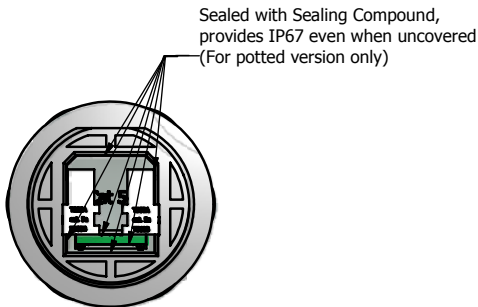


- Notes:**
- Electrical Specifications:
    - Meets EIA/TIA-568-B.2 Cat.5e Specification
    - Contact Resistance: 20mOhm max.
    - Insulation Resistance: 500MOhm min. @ 100 VDC
    - Current Rating: 1.2A max. at 25° C
    - Working Voltage: 100 VDC
    - DWV: 1000 VDC/60s Contact to Contact, 1500 VDC/60s Contact to Metal Shell
    - Operating Temperature: -40° C to +85° C
  - Material and Finish:
    - Receptacle Housing: Metallized ABS (Nickel Plated); UL94 V-0
    - Cover Coupling Ring: Metallized ABS (Nickel Plated); UL94 V-0
    - Panel Nut: Brass, Finish: Nickel Plated
    - Panel Gasket: Silicon, Color: White
    - Cover Gasket: Silicon, Color: White
    - Tether: Polycarbonate, Color: Black
    - Cat.5e RJ45 IDC Jack Metal Shell: Copper Alloy, Nickel Plated
    - Cat.5e RJ45 IDC Jack Plastic Housing: Glass filled PBT UL94 V-0, Color: Black
    - Cat.5e RJ45 IDC Jack Contacts: Phosphor Bronze, Finish: 50u" Gold min. over Nickel
  - Connector can be front or rear mounted to a maximum panel thickness of 3.2mm.
  - IP67 rated when covered or fully mated with the appropriate mating connector
  - RoHS compliant



Directive 2002/95/EC RoHS Compliant

THIS DRAWING MAY NOT BE COPIED, OR REPRODUCED IN ANY WAY AND MAY NOT BE PASSED ON TO A THIRD PARTY WITHOUT WRITTEN PERMISSION. OWNERSHIP AND COPYRIGHT OF CONEC CORPORATION. <b>DOT NOT ALTER CAD DRAWING BY HAND</b>	Customer:			Tolerance Unless otherwise specified			Scale: 1:2:1	Dim. in mm	
	Name	Title	Approval Date	0 PLC ±0.50	1 PLC ±0.38		Autodesks Inventor	Material: See Notes	
				2 PLC ±0.25	3 PLC ±0.10	Potted Receptacle & Cover Kit Metallized Plastic Receptacle Housing with Shielded Cat. 5e RJ45 IDC Jack			
				ANGLES ±3		Draw. Jan. 28 Vincent Ke	Drawing No.: 17K1A197		DIN A3
						Appd. Jan. 28 J. Chaudry	Part No.: 17-10038		Sheet 1/1
					Norm				
					D-old				
	b	Mar/08/2011	Vincent Ke						
	a	original							
	Rev.	Changes	Date	Name					

