

# SPECIFICATION FOR APPROVAL



TO: \_\_\_\_\_

PART NO.		REV.		DELTA SAMPLE ISSUE NO	
PART NAME	EMI FILTER		DELTA MODEL		30TDVST2-1
ORDER P/N.	30TDVST2-1		SAMPLE ISSUE DATE		

1. ELECTRICAL CHARACTERISTICS :

- 1-1. VOLTAGE RATING ..... 480 VAC
- 1-2. CURRENT RATING ..... 30 A RMS MAX.
- 1-3. OPERATING FREQUENCY ..... 50/60Hz
- 1-4. LEAKAGE CURRENT : EACH LINE TO GROUND
  - A. AT 480 VAC 50Hz ..... 30 mA MAX.
- 1-5. HIPOT RATING (FOR ONE MINUTE)
  - A. LINE TO GROUND ..... 2250 VDC
  - B. LINE TO LINE ..... 1450 VDC
- 1-6. MINIMUM INSERTION LOSS IN dB

MHz	.01	.05	.10	.15	.50	1.0	5.0	10	30
COM. MODE	/	/	/	50	60	55	35	35	10
DIF. MODE	/	/	/	45	40	35	35	35	20

- 1-7. AMBIENT TEMPERATURE ..... 40°C
- 1-8. TEMPERATURE RANGE ..... -25°C TO +100°C

1-9. SAFETY :

REPORT BY	CHECKED BY	APPROVED BY		
			REV.	

**DELTA ELECTRONICS, INC.**

186 RUEY KUANG ROAD, NEIHU. TAIPEI 114,  
TAIWAN, R.O.C.  
TEL:886-2-87972088 FAX:886-2-87972120

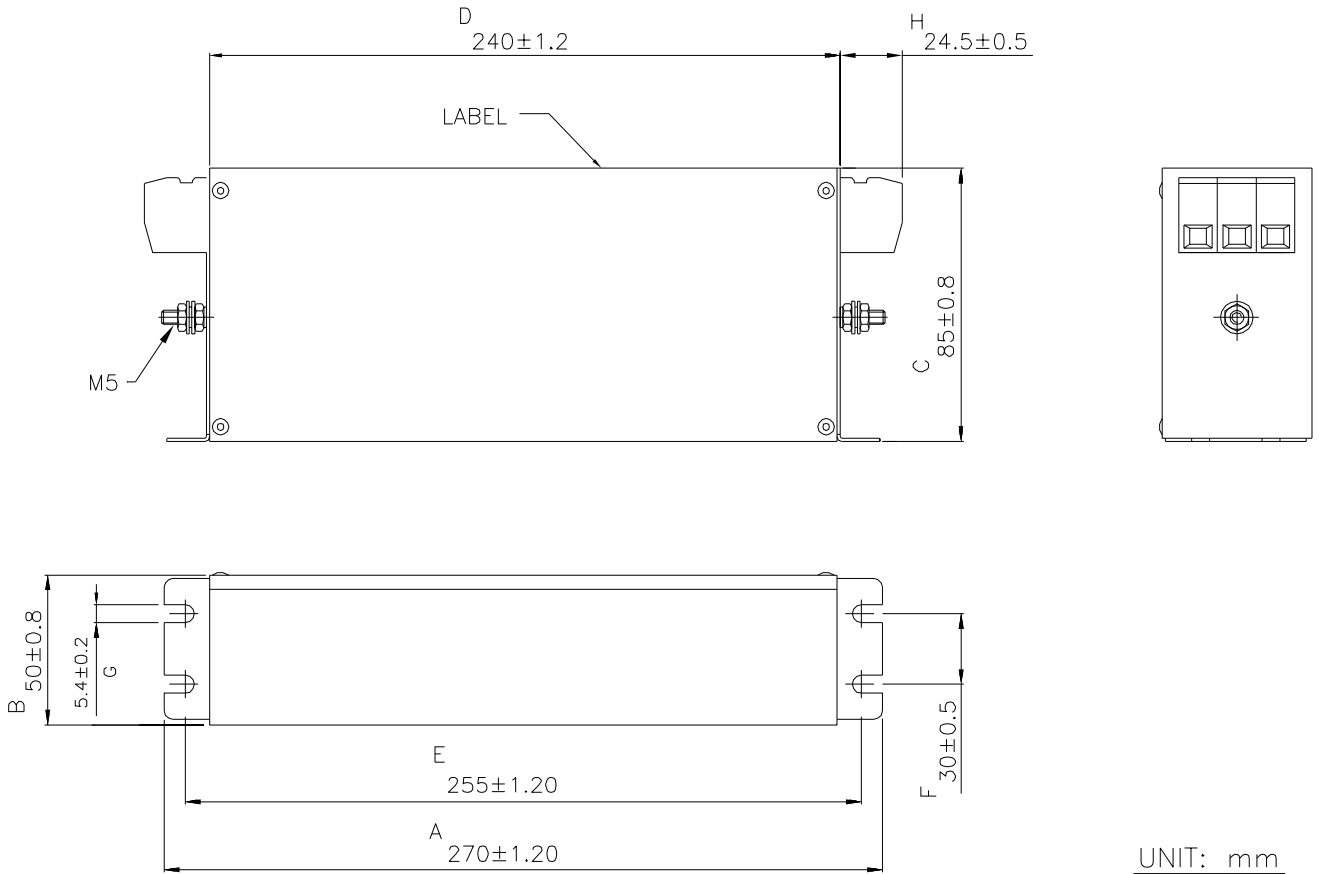
# SPECIFICATION FOR APPROVAL



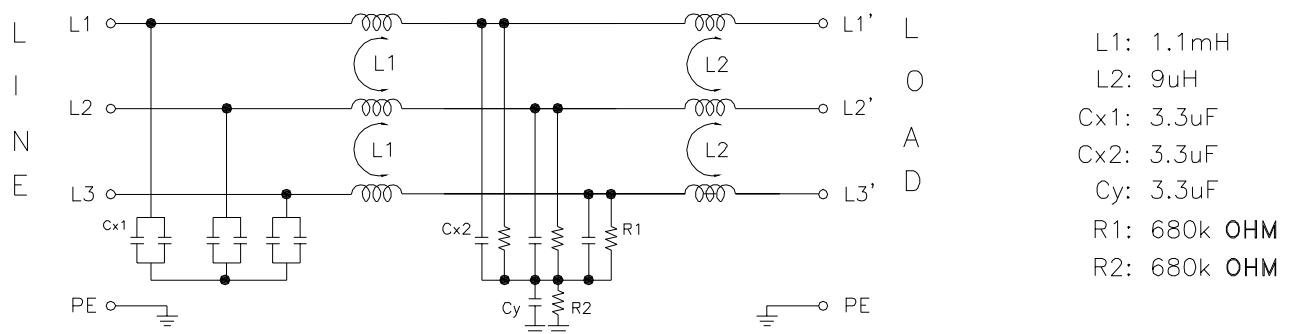
TO: \_\_\_\_\_

PART NO.		REV.		DELTA SAMPLE ISSUE NO	
PART NAME	EMI FILTER			DELTA MODEL	30TDVST2-1
ORDER P/N.	30TDVST2-1			SAMPLE ISSUE DATE	

## 2. PHYSICAL DIMENSIONS :



## 3. SCHEMATIC :



REPORT BY	CHECKED BY	APPROVED BY	UNLESS OTHERWISE SPECIFIED DIMENSION TOLERANCE DCEIMALS .X± .XX± ANGLES±		
			REV.		