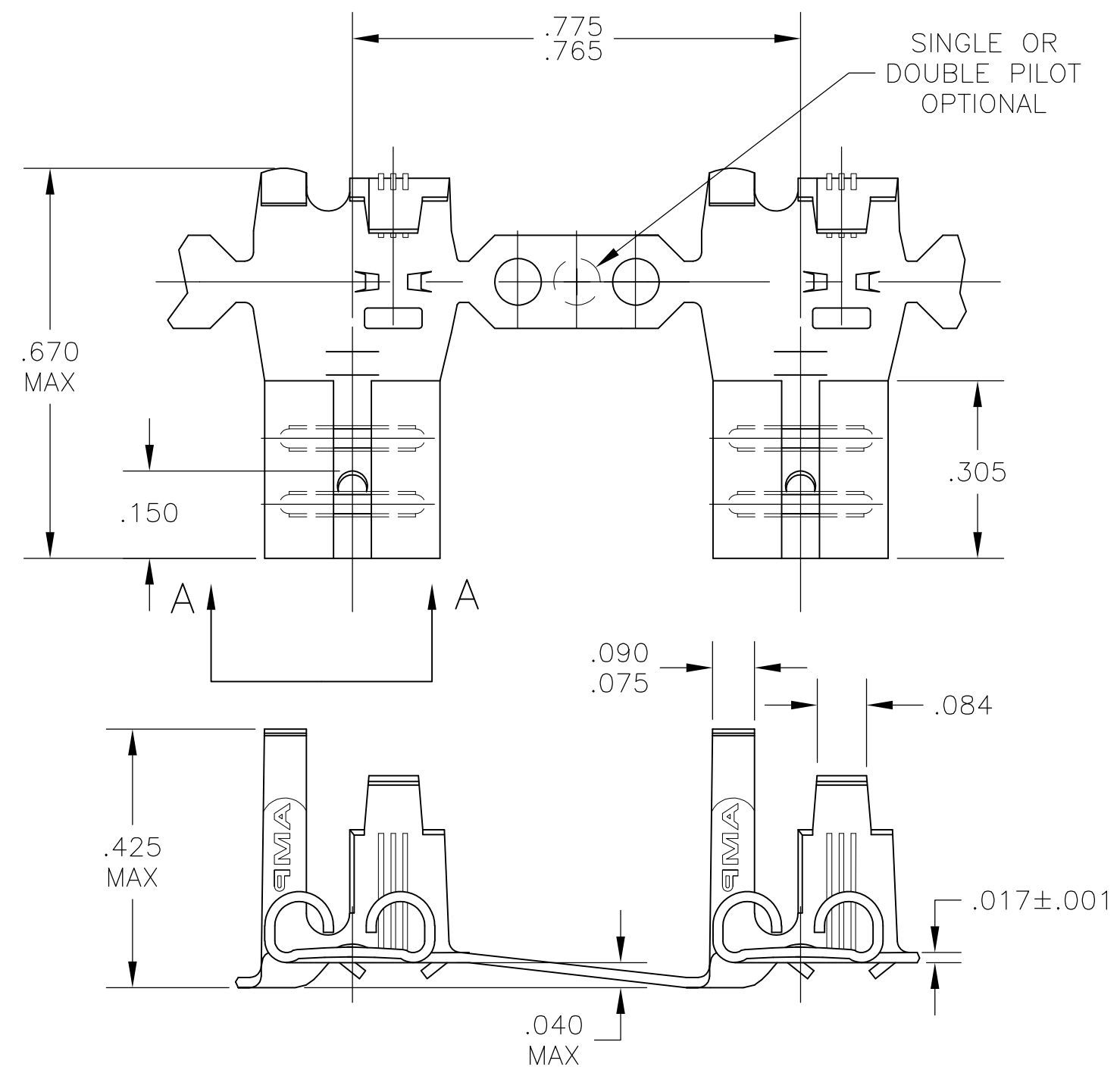
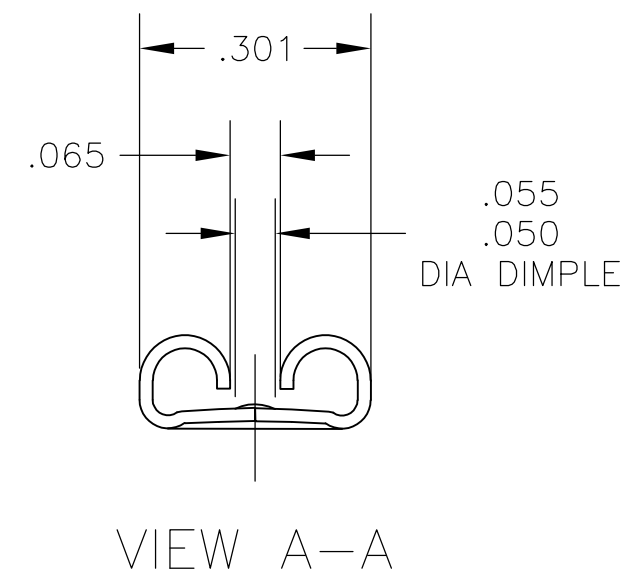


THIS DRAWING IS UNPUBLISHED. RELEASED FOR PUBLICATION
 © COPYRIGHT - By - ALL RIGHTS RESERVED.

LOC	DIST	REVISIONS			
P	LTR	DESCRIPTION	DATE	DWN	APVD
AF	50	C	REVISED PER ECR-12-013518	23NOV2012	KH PD



- 1 CONTINUOUS STRIP ON REELS
- 2 MATING TAB THK IS .032±.001.
- 3 WIRE SIZE IS #18-#12 AWG
- 4 INSULATION RANGE IS .110-.210 DIA.



63517-1
PART NO.

THIS DRAWING IS A CONTROLLED DOCUMENT.		DWN	JR RUTH	15OCT2002	TE Connectivity								
DIMENSIONS: INCHES 		CHK	P DESANTIS	16OCT02				NAME RECEPTACLE, FLAG, FASTON, .250 SERIES					
TOLERANCES UNLESS OTHERWISE SPECIFIED: 0 PLC ± - 1 PLC ± - 2 PLC ± - 3 PLC ± .015 4 PLC ± - ANGLES ± -		APVD	P DESANTIS	16OCT02	PRODUCT SPEC APPLICATION SPEC								
MATERIAL BRASS		FINISH TIN		WEIGHT				—	SIZE	A3	CAGE CODE	00779	DRAWING NO
CUSTOMER DRAWING					SCALE	4:1	SHEET	1 OF 1	REV	C			