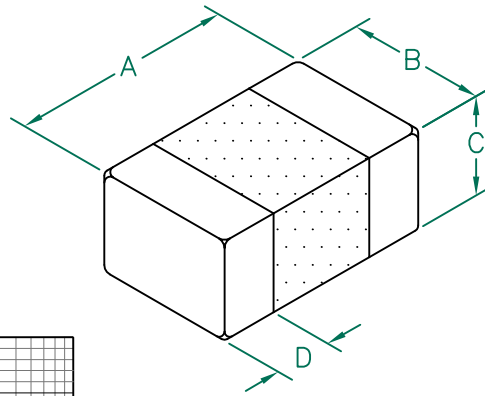


HI0805R800R-10

UNCONTROLLED DOCUMENT

PHYSICAL DIMENSIONS:

A	2.00 [.079]	± 0.20 [.008]
B	1.25 [.049]	± 0.20 [.008]
C	0.90 [.035]	± 0.20 [.008]
D	0.51 [.020]	± 0.25 [.010]



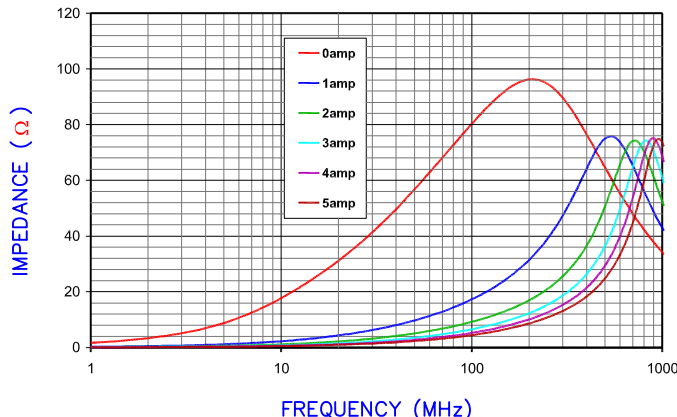
ELECTRICAL CHARACTERISTICS:

Z @ 100MHz (Ω)	DCR (Ω)	Rated Current
Nominal	80	
Minimum	60	
Maximum	100	0.010 5000 mA

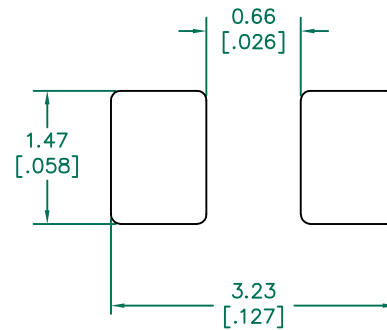
NOTES: UNLESS OTHERWISE SPECIFIED

1. TAPED AND REELED per CURRENT EIA SPECIFICATIONS 7" REELS, 4000 PCS/REE, PAPER TAPE.
2. TERMINATION FINISH IS 100% TIN.
3. CONTINUOUS CURRENT RATING OF 5000 mA.
4. COMPONENTS SHOULD BE ADEQUATELY PREHEATED BEFORE SOLDERING.
5. OPERATING TEMPERATURE TEMP: -40°C~+125°C (INCLUDING SELF-HEATING)

Z vs FREQUENCY
IMPEDANCE UNDER DC BIAS

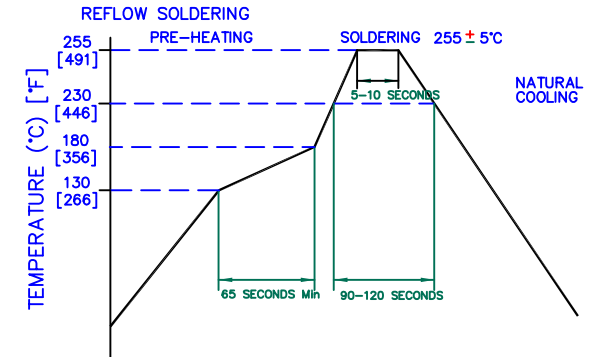


LAND PATTERNS FOR REFLOW SOLDERING

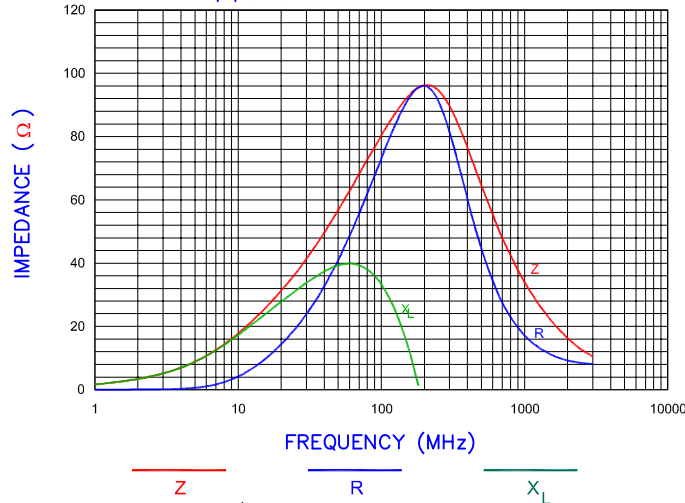


(For wave soldering, add 0.763 [.030] to this dimension.)

RECOMMENDED SOLDERING CONDITIONS



FREQUENCY (MHz)
|Z|, R, AND X vs. FREQUENCY



AGILENT E4991A RF Impedance/Material Analyzer
HP 16194A Test Fixture. TEST REF. 3796

DIMENSIONS ARE IN mm [INCHES].

This print is the property of Laird Tech. and is loaned in confidence subject to return upon request and with the understanding that no copies shall be made without the written consent of Laird Tech. All rights to design or invention are reserved.



REV	DESCRIPTION	DATE	INT	PROJECT/PART NUMBER:	REV	PART TYPE:	DRAWN BY:
E	OPERATING TEMPERATURE UPDATE LAIRD LOGO AND REFLOW CURVE	08/05/13	QU	HI0805R800R-10	E	CO-FIRE	TMB
D	CHANGE TO PAPER TAPE	03/03/10	JUN				
C	UPDATE COMPANY LOGO	06/15/09	JRK				
B	UPDATE COMPANY LOGO	01/17/08	JRK				
A	ORIGINAL DRAFT	04/02/04	TMB	DATE: 04/02/04	SCALE: NTS		SHEET: 2 of 2
REV	DESCRIPTION	DATE	INT	CAD # HI0805R800R-10-E	TOOL # -		