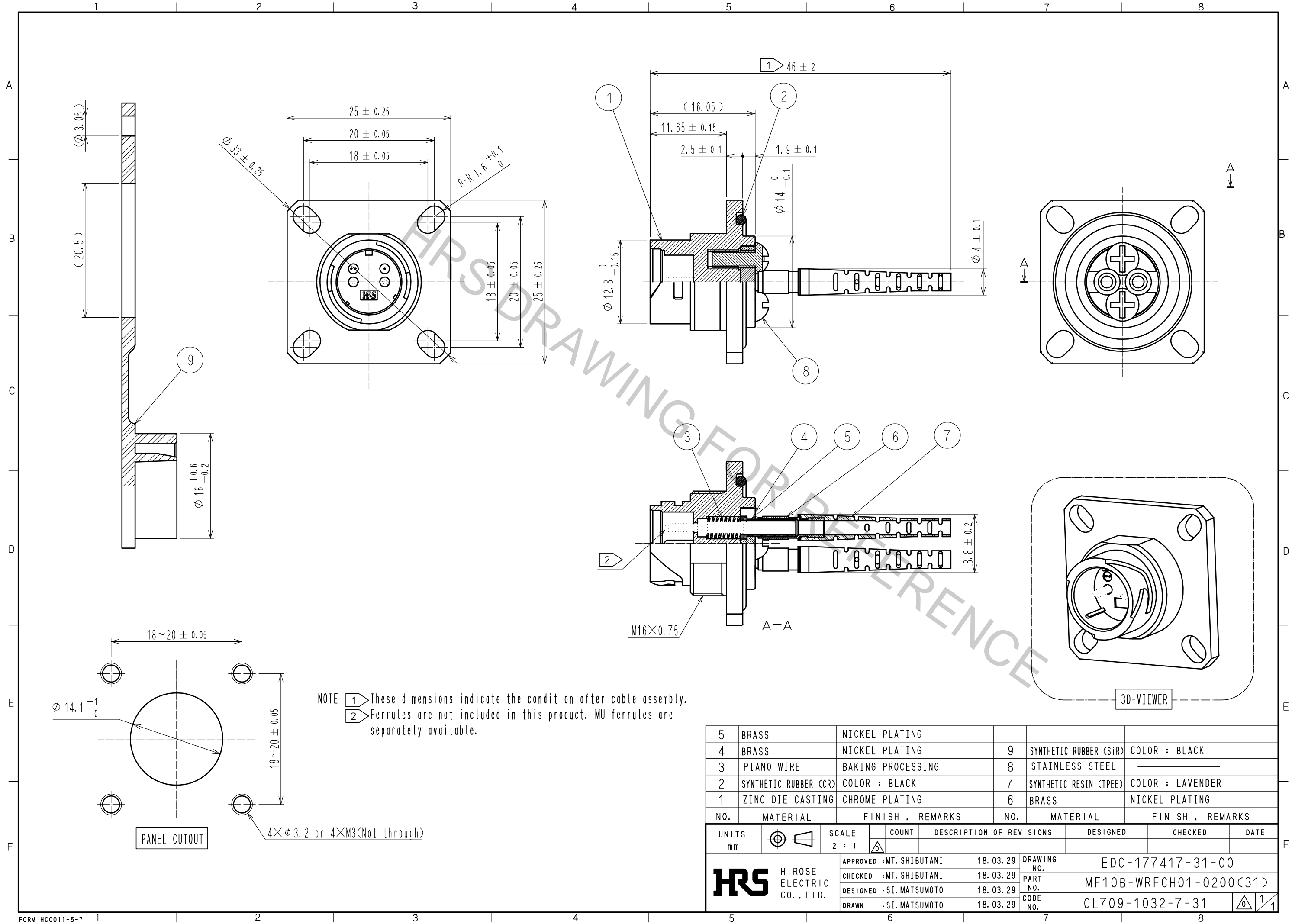


Aug.1.2018 Copyright 2018 HIROSE ELECTRIC CO., LTD. All Rights Reserved.
 In case that the application demands a high level of reliability, such as automotive,
 please contact a company representative for further information.



NOTE 1 These dimensions indicate the condition after cable assembly.
 2 Ferrules are not included in this product. MU ferrules are separately available.

5	BRASS	NICKEL PLATING			
4	BRASS	NICKEL PLATING	9	SYNTHETIC RUBBER (SIR)	COLOR : BLACK
3	PIANO WIRE	BAKING PROCESSING	8	STAINLESS STEEL	
2	SYNTHETIC RUBBER (CR)	COLOR : BLACK	7	SYNTHETIC RESIN (TPEE)	COLOR : LAVENDER
1	ZINC DIE CASTING	CHROME PLATING	6	BRASS	NICKEL PLATING
NO.	MATERIAL	FINISH . REMARKS	NO.	MATERIAL	FINISH . REMARKS
UNITS mm		SCALE 2 : 1	COUNT		DESCRIPTION OF REVISIONS
DESIGNED		CHECKED		DATE	
APPROVED : MT. SHIBUTANI			18.03.29		
CHECKED : MT. SHIBUTANI			18.03.29		
DESIGNED : SI. MATSUMOTO			18.03.29		
DRAWN : SI. MATSUMOTO			18.03.29		
DRAWING NO.			EDC-177417-31-00		
PART NO.			MF10B-WRFCH01-0200(31)		
CODE NO.			CL709-1032-7-31		