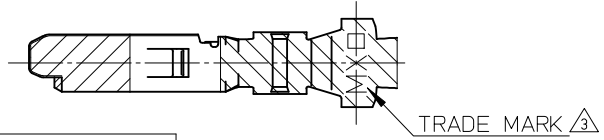
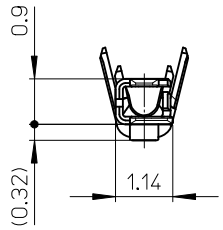
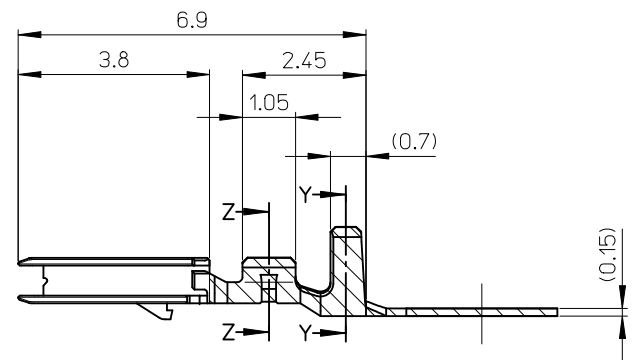
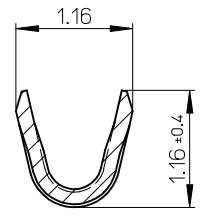
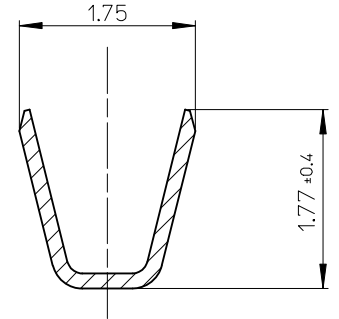
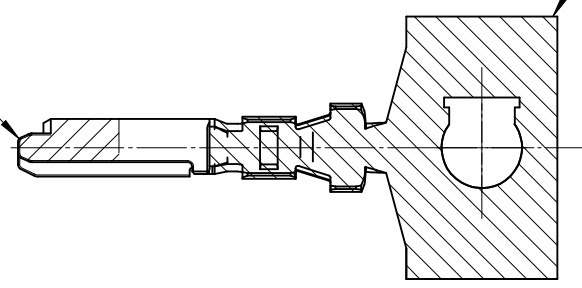


△ Au PLATING AREA

Sn PLATING AREA



NOTES

- 適合ハウジング: 502578\*\*\*\*, 503149\*\*\*\*  
APPLICABLE HOUSING: 502578\*\*\*\*, 503149\*\*\*\*
- 図示の斜線部の範囲は、接点部のため、傷、打痕、汚れなどを付けないようにして下さい。  
PLEASE DON'T DAMAGE, DON'T DENT, AND DON'T MAKE IT DIRTY. BECAUSE THE RANGE IN THE SHADED PORTION SHOWN IN FIGURE IS THE CONTACT AREA.
- トレードマーク: MX プラス1文字の製造工場を示すアルファベットにて表示。但し「J」は JAPAN を示す。(例 MXJ)  
FORMED BY MX AND 1 MORE LETTER OF ALPHABET WHICH MEAN THE MANUFACTORY. BUT "J" MEANS JAPAN. (TO TRADE MARK) (e.g. MXJ)
- ELV 及び RoHS 適合品  
ELV AND RoHS COMPLIANT

部品 PART	材質 MATERIAL 5034291***
銅合金 COPPER ALLOY	
コンタクト部 CONTACT POS.	金めっき: 0.2 micro-meter MIN. GOLD リフロー処理 (前めっき) REFLOW TREATMENT (PRE-PLATED)
バレル部 BARREL POS.	錫めっき: 1.0 micro-meter MIN. TIN リフロー処理 (前めっき) REFLOW TREATMENT (PRE-PLATED)
	ニッケルめっき (下地): 0.1 micro-meter MIN. NICKEL (UNDER PLATING) リフロー処理 (前めっき) REFLOW TREATMENT (PRE-PLATED)

RELEASED EC NO: J2015-0528 DRWN: TAKAIKE 2014/10/24 CHKD: KASAKAWA 2015/02/16 APPR: NUKITA 2015/02/16	GENERAL TOLERANCES (UNLESS SPECIFIED)		DIMENSION STYLE	
	0.25 UNDER	UNDER	± 0.03	MM ONLY
	0.25 OVER	0.5 UNDER	± 0.05	
	0.5 OVER	1.0 UNDER	± 0.1	
	1.0 OVER	10 UNDER	± 0.2	
	10 OVER	30 UNDER	± 0.25	
	30 OVER		± 0.3	
	ANGULAR ±3 °			
	DRAFT WHERE APPLICABLE MUST REMAIN WITHIN DIMENSIONS			

SCALE 10:1	DESIGN UNITS METRIC	THIRD ANGLE PROJECTION
TITLE		
1.5W/B CONN PLUG TERMINAL		
SEE TABLE		SD-503429-002
MATERIAL NO.		SHEET NO. 1 OF 1
THIS DRAWING CONTAINS INFORMATION THAT IS PROPRIETARY TO MOLEX INCORPORATED AND SHOULD NOT BE USED WITHOUT WRITTEN PERMISSION		