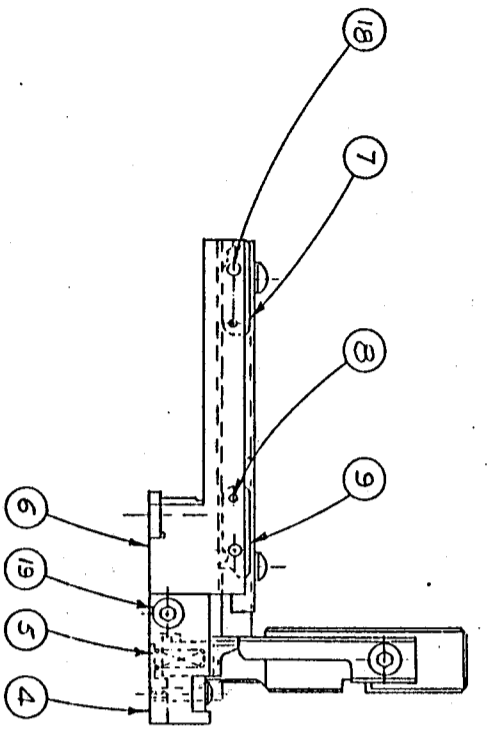
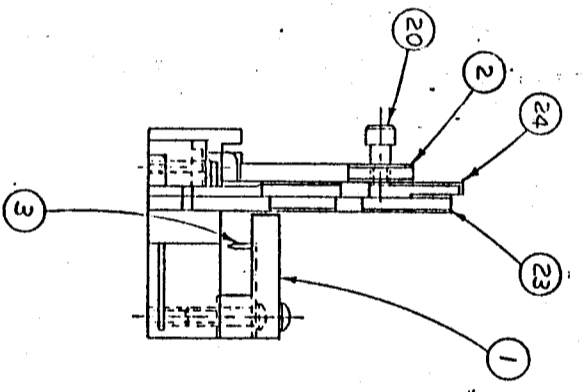
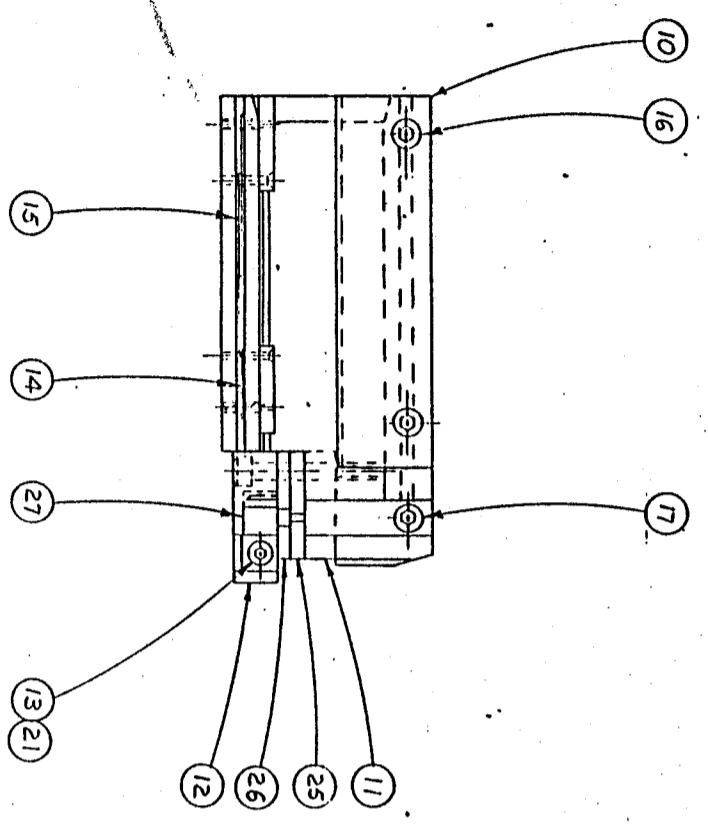


FEED FINGER SUB-ASSEMBLY



PARTS LIST

EDP NO.	ITEM	SIZE	ENG. NO.	DESCRIPTION	REQ'D.
11-40-4651	1	A	B364-1	WIRE STOP	1
11-40-4039	2	A	B302-5	PLUNGER STRIKER	1
11-40-4652	3	A	B364-2	STRIP GUIDE	1
11-24-1079	4	A	4996-11	FRONT PLUNGER SPRING PLATE	1
11-24-1067	5	A	4996-4	CUT-OFF PLUNGER SPRING	1
11-40-4653	6	C	B364-3	TERMINATOR BASE & TRACK	1
11-40-4068	7	A	B302-102	DRAG FINGER	1
11-40-4069	8	A	B302-103	PIVOT PIN	2
11-40-4654	9	A	B364-4	STOP FINGER	1
11-40-4655	10	A	B364-5	REAR TRACK	1
11-40-4656	11	A	B364-6	SPACER	1
11-40-4657	12	A	B364-7	FRONT PLUNGER RETAINER	1
11-24-1084	13	A	4996-31	CUT-OFF PLUNGER GUIDE ELBOW	1
11-40-4145	14	A	B302-111	TORSION SPRING (STOP FINGER)	1
11-40-4142	15	A	B302-110	TORSION SPRING	1
16				*8-32X3/4LG. BUTT. HO. SOC. CAP SCR.	2
17				*9-32X1LG. SOCKET HEAD CAP SCR.	1
18				3/64 DIA. X 1/4 LG. SPIROL PIN	2
19				*10-32X1 1/2 LG. SOC. HO. CAP SCR.	1
20				*10-32X 3/8 LG. SOC. HO. CAP SCR.	1
21				*6-32 X 1/2 LG. BUT. HO. S. CAP SCR.	1
22					

PERISHABLE TOOLING

11-40-3176	K	B364-9	TOOL KIT (ITEMS 23 THRU 25)	
11-40-4823	23	B364-13	CONDUCTOR PUNCH	
11-40-4824	24	B364-14	INSULATION PUNCH	
11-40-4825	25	B364-15	CONDUCTOR ANVIL	1EA.
11-40-4826	26	B364-16	INSULATION ANVIL	
11-40-4662	27	B364-12	FRONT CUT-OFF PLUNGER	
28				

FEED FINGER SUB-ASSEMBLY

11-40-0123	29	TN40-24	FEED FINGER SHAF	
11-40-0125	30	TN40-26	FEED FINGER SPRING	
11-40-2810	31	B513-3	FEED FINGER	1EA.
11-40-4681	32	B513-2	FEED FINGER INSERT	
33			*5-40 X 1/4 LG. SOC. HO. CAP SCR.	

TERMINATOR ASSEMBLY  
FOR # 2452 TERMINAL 10-15AWG  
M.T.L. DIE 2,895 TRICK  
HOLE INCORPORATED  
11-40-2174 T-3364-B  
216127