

Ratings

Temperature: 0 ~ 70 °C
Voltage: 150 V

Conductor

Gauge: 26 AWG, 0.13 mm²
Material: tinned copper strands
Stranding: $\varnothing 0.08 \times 26$
Resistance at 20 °C: 150 Ω /km max

Insulator

Material: HDPE
Color: black, white, red
Outer diameter: $\varnothing 0.9 \pm 0.10$ mm
Nominal thickness: 0.20 mm
Resistance at 20 °C: 1000 M Ω /km min

Shield

Type: spiral
Material: tinned copper strands
Strand size: $\varnothing 0.08$ mm
Coverage: 90 % minimum

Outer jacket

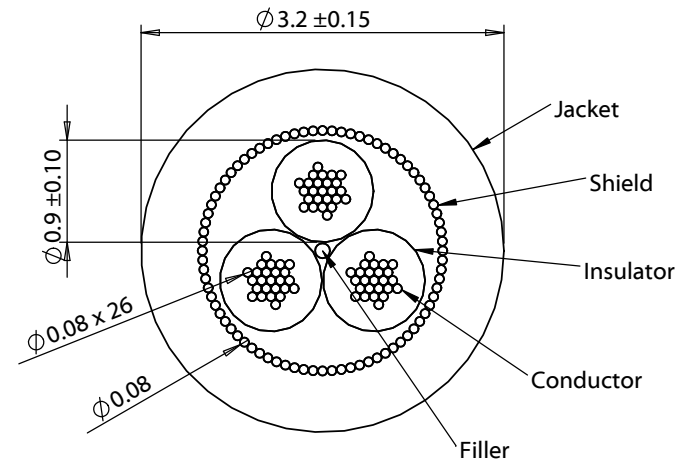
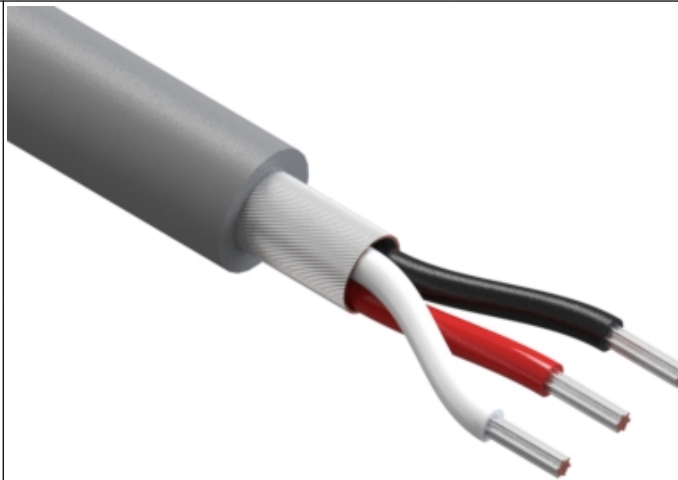
Material: TPU, 70 °C
Color: cool gray 9C
Nominal thickness: 0.50 mm
Diameter: $\varnothing 3.2 \pm 0.15$ mm

Filler

Material: kevlar

Tests

Tensile strength: 35.7 kgf
Dielectric test: 1500 V dc for 1 minute without breakdown
Bend test at 200 g, $\pm 90^\circ$, 30 cycles /min: 15,000 cycle minimum



REVISION	DATE	DESCRIPTION	PREPARED:	NOTES	TENSILITY 20802 Sockeye Place #130 Bend, OR 97701 USA tel 541.323.3228 fax 541.323.4202 800 877.670.7118 www.tensility.com		
A	9/29/2015	Initial release		RoHS and REACH compliant			
A1	1/13/2016	Updated notes, corrected tolerances	VERIFIED:	Jacket meets ISO 10993 biological compatibility	A	30-00457	
				Phthalate and halogen free	SCALE: 1:1		
			DIMENSIONS ARE IN MILLIMETERS	Function test: no open, no short, no intermittent	SHEET 1 OF 1		
			TOLERANCES: X: ± 0.5 mm X.X: ± 0.3 mm X.XX: ± 0.05 mm	DESCRIPTION: Wire, 3C TS, 26 AWG, 150V, 70C, 3.2 mm, spiral shield, TPU, gray			