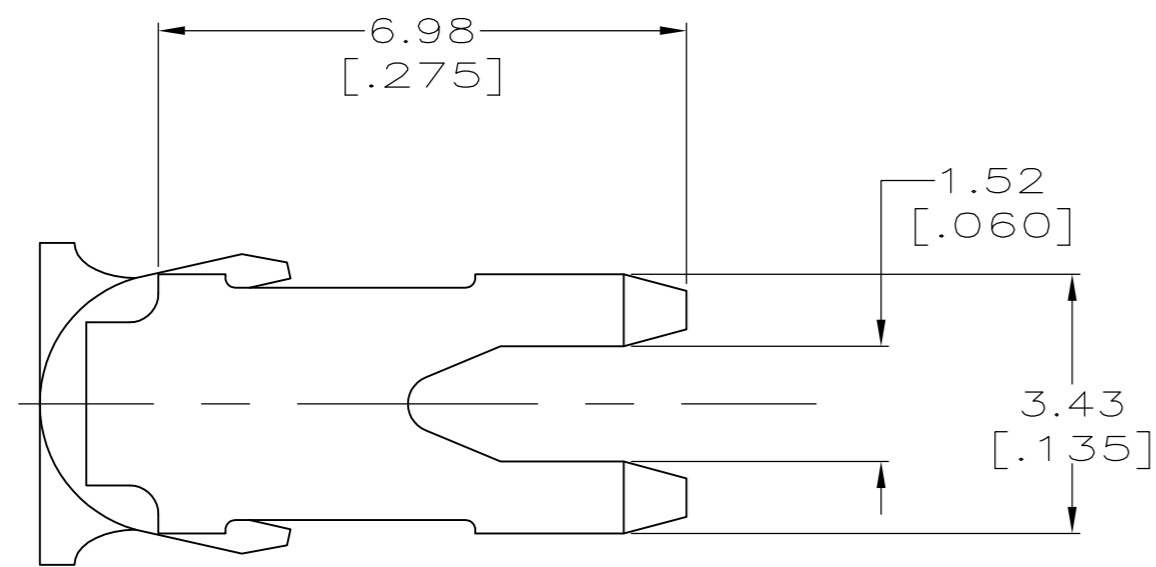
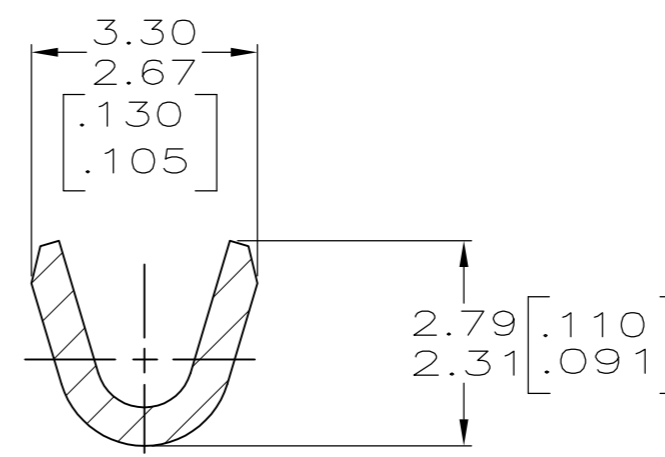
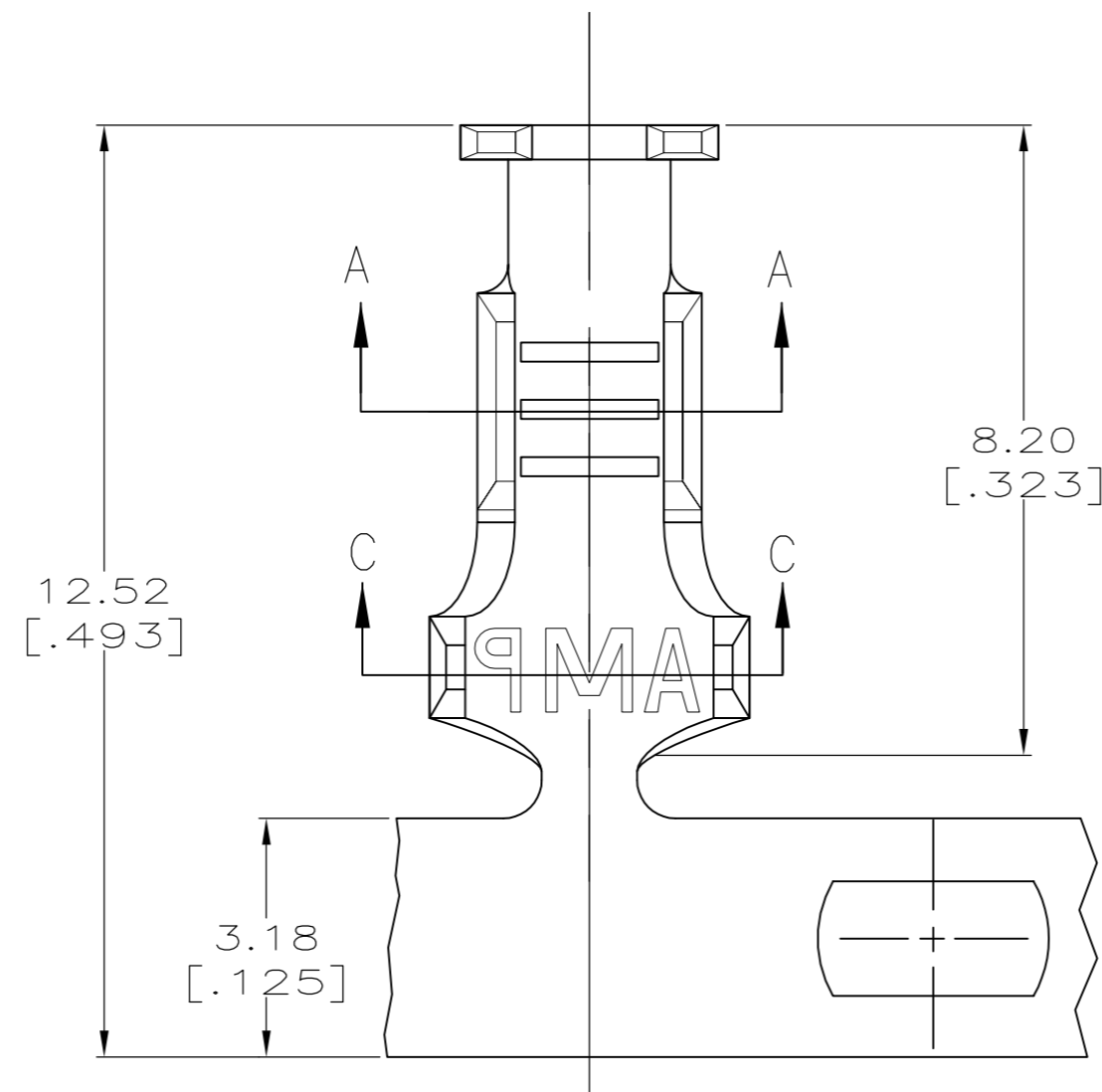
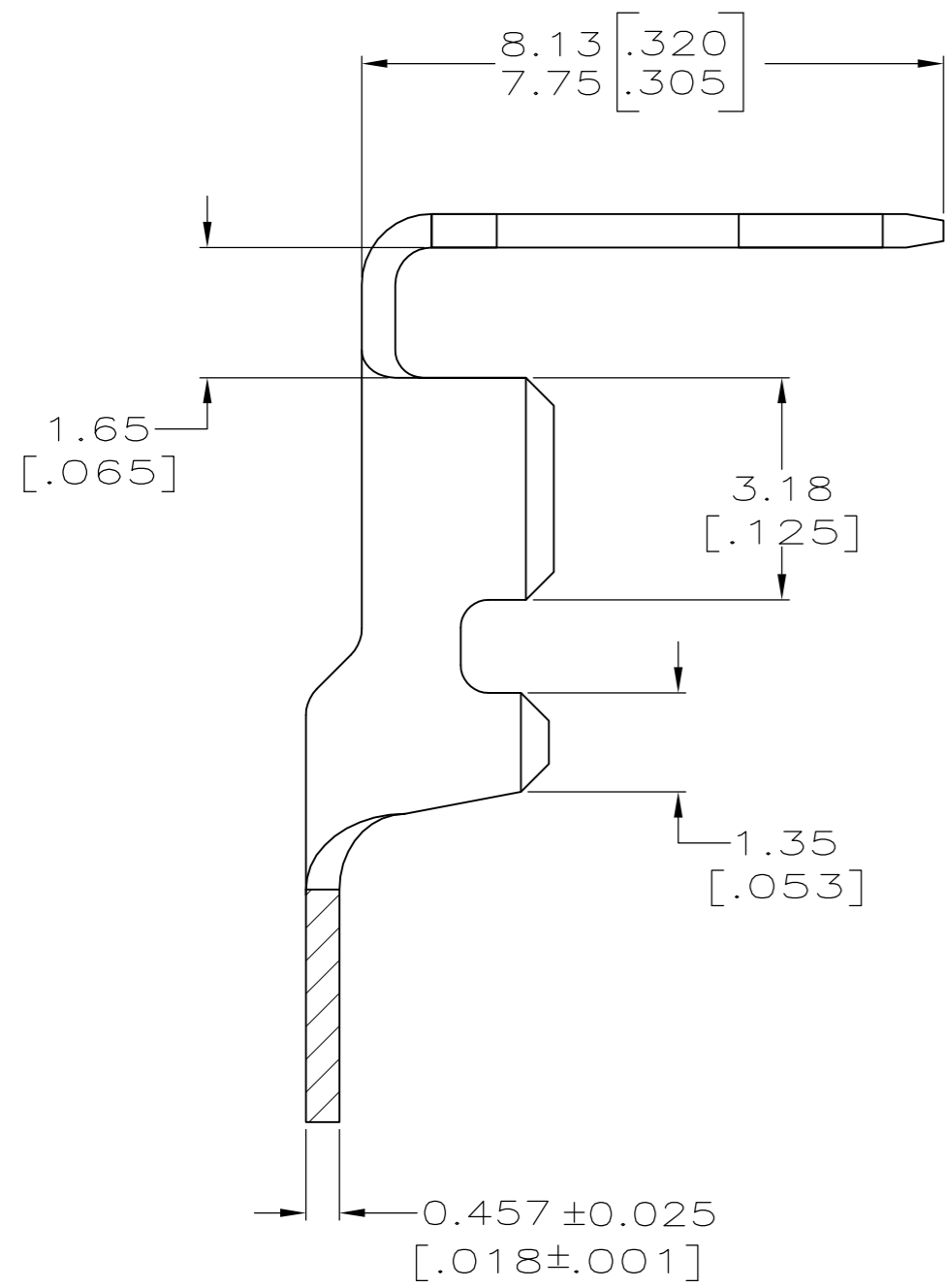


THIS DRAWING IS UNPUBLISHED. RELEASED FOR PUBLICATION
 © COPYRIGHT - By - ALL RIGHTS RESERVED.

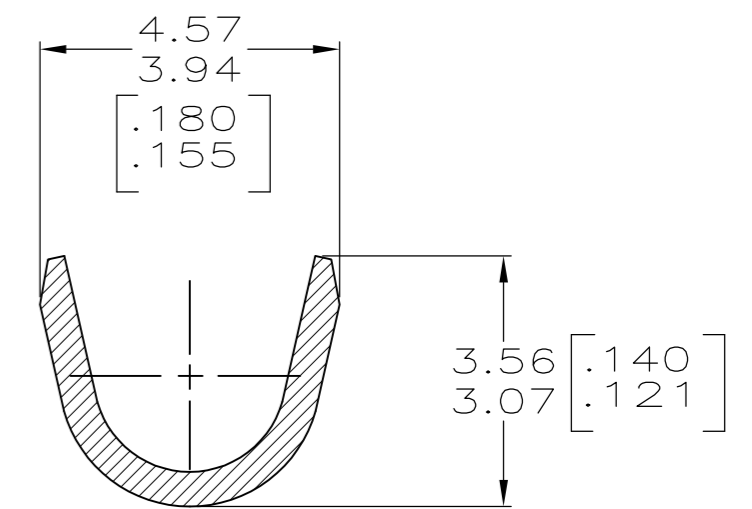
LOC	DIST	REVISIONS			
P	LTR	DESCRIPTION	DATE	DWN	APVD
AF	50	A1	ECR-13-016672	25OCT13	PKS RRP



1 CONTINUOUS STRIP ON REELS
 2 PRE-PRODUCTION - FASR REQUIRED



SECTION A-A



SECTION C-C

1.52-2.54 [.060-.100] DIA	0.3-0.8mm ² [#22-#18]	2 1742897-1
INSULATION RANGE	WIRE RANGE	PART NUMBER

THIS DRAWING IS A CONTROLLED DOCUMENT.		DWN JR RUTH 29APR11	TE Connectivity	
DIMENSIONS: mm [INCHES]		CHK K RANDOLPH 29APR11	NAME TAB, POKE-IN, MAG-MATE™	
TOLERANCES UNLESS OTHERWISE SPECIFIED: 0 PLC ± - 1 PLC ± - 2 PLC ± 0.25[.010] 3 PLC ± - 4 PLC ± - ANGLES ± -		APVD K RANDOLPH 29APR11	PRODUCT SPEC 108-22045	
MATERIAL BRASS		FINISH PRE-TIN PLATE	APPLICATION SPEC 114-2050	RESTRICTED TO -
WEIGHT -		SIZE A2	CAGE CODE 00779	DRAWING NO C=1742897
CUSTOMER DRAWING		SCALE 10:1	SHEET 1 of 1	REV A1