

THIS DRAWING IS UNPUBLISHED. RELEASED FOR PUBLICATION JAN ,2006.

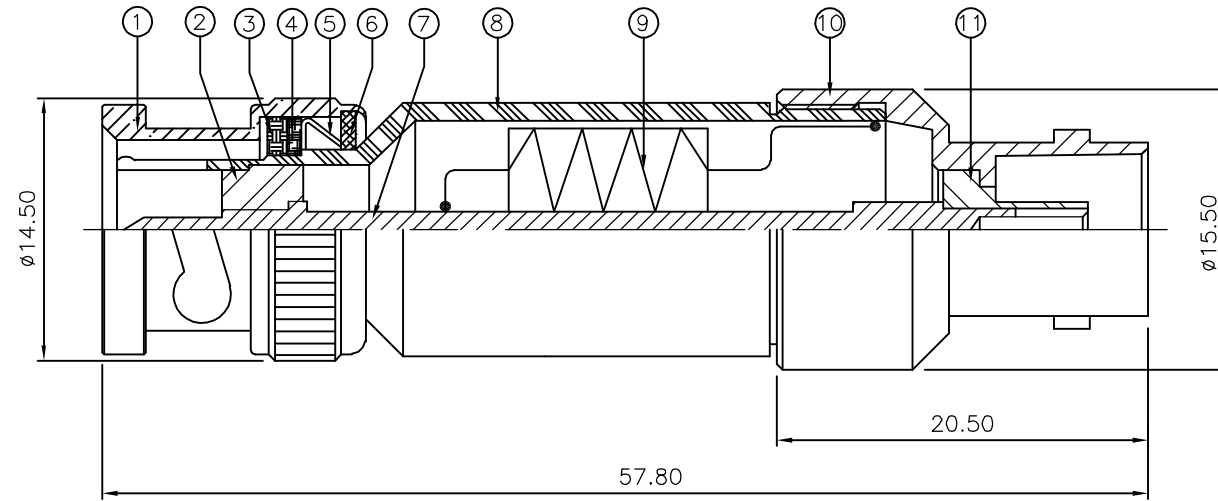
© COPYRIGHT 2006 BY TYCO ELECTRONICS CORPORATION. ALL RIGHTS RESERVED.

LOC	DIST	REVISIONS					
E	B	P	LTR	DESCRIPTION	DATE	DWN	APVD
		C		ECR-05-017969	12JAN06	JMS	FWK

NOTES:

- 1 PACK IN ACCORDANCE WITH AMP SPEC 107-3275
- 2 100 TRAY PACK IN ACCORDANCE WITH AMP SPEC 107-3275
- 3 Ag PLATING
- 4 THIS ITEM MUST BE WHITE

- 5 ELECTRICAL CHARACTERISTICS
 FREQUENCY RANGE: DC - 1 GHz
 NOMINAL IMPEDANCE: 75 Ohm
 INSULATION RESISTANCE: 5000 MOhm
 WORKING VOLTAGE: 500 Volts RMS at Sea Level
 DIELECTRIC WITHSTAND VOLTAGE: 1500 Volts RMS Max
 CONTACT RESISTANCE:
 CENTRE CONTACT: 1.50 mOhm Max
 OUTER CONTACT: 0.20 mOhm Max
 INSERTION LOSS xdb: TBA
- 6 MECHANICAL CHARATERISTICS
 COUPLING RETENTION FORCE: 445N
 CABLE RETENETION FORCE: N/A
 DURABILITY: 500 Cycles Min
- 7 ENVIRONMENTAL CHARACTERISTICS
 OPERATING TEMPERATURE: -65 to +165 DegC



	1	1	PTFE	INSULATION	11
	1	1	BRASS	3 BODY II	10
	1	1	2W-75 OHM	RESISTOR	9
	1	1	BRASS	3 BODY I	8
	1	1	BRASS	3 CONTACT	7
	1	1	BRASS	3 WASHER	6
	1	1	SPRING STEEL	SPRING	5
	1	1	BRASS	3 RETAINING RING	4
	1	1	SILICON RUBBER	4 GASKET	3
	1	1	PTFE	INSULATION	2
	1	1	BRASS	3 SHELL	1
	6--0	1--0	MATERIAL	DESCRIPTION	ITEM

QUANTITY PER ASSY		PARTS LIST	
DWN J.SANDWELL 12JAN06		Tyco Electronics Corporation	
CHK S.PARLOW 12JAN06		Bideford EX39 4HE	
APVD F.WHEELER-KING 12JAN06		NAME	
PRODUCT SPEC		BNC THROUGH TERMINATION 75 OHM	
APPLICATION SPEC		-	
SIZE	CAGE CODE	DRAWING NO	RESTRICTED TO
A3	00779	C-1337492	-
CUSTOMER DRAWING		SCALE NTS	SHEET 1 OF 1 REV C

THIS DRAWING IS A CONTROLLED DOCUMENT.	
DIMENSIONS: mm	TOLERANCES UNLESS OTHERWISE SPECIFIED:
	0 PLC ± -
	1 PLC ± -
	2 PLC ± -
	3 PLC ± -
	4 PLC ± -
	ANGLES ± -
MATERIAL SEE TABLE	FINISH -