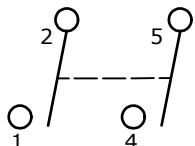
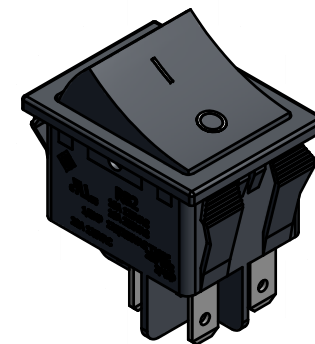
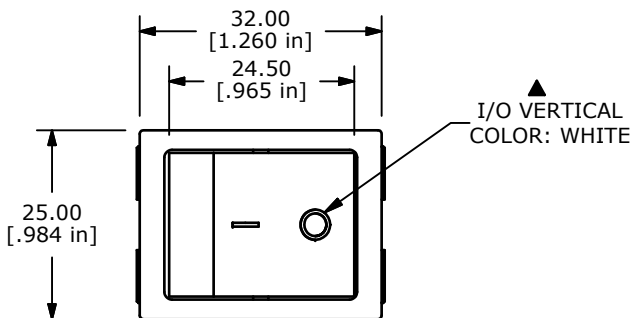


PANEL CUTOUT

PANEL THICKNESS	(x)
0.75 - 1.25	30.0
1.25 - 2.00	30.2
2.00 - 3.00	30.5



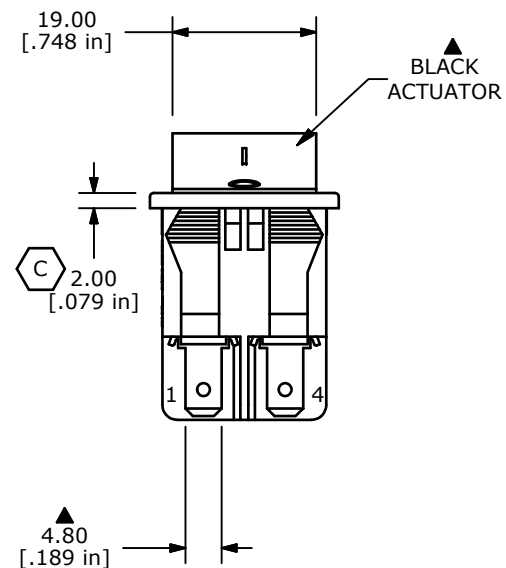
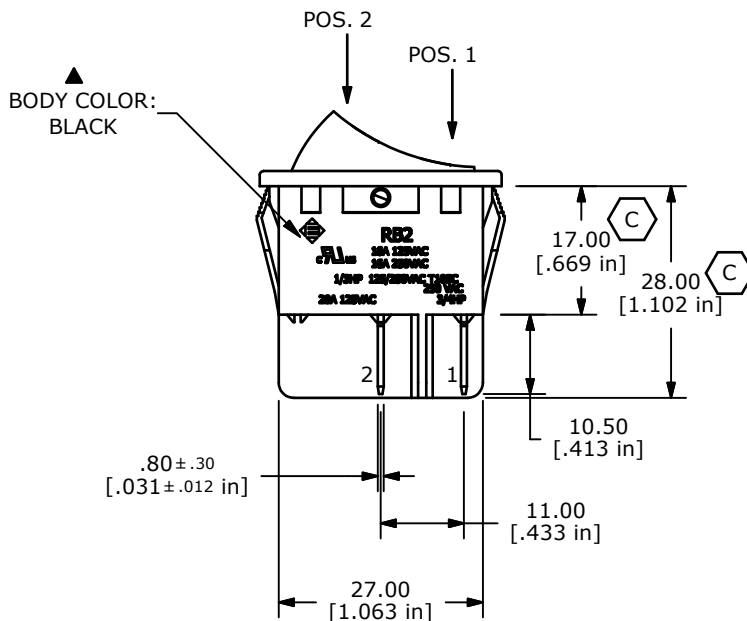
CIRCUIT: DPST



SWITCH FUNCTION	
POS. 1	POS. 2
OFF	ON
OPEN	2-1, 5-4

NOTE:

1. DIMENSIONS IN MM [INCH]
2. GENERAL TOLERANCE: X.X = ± 0.4  
X.XX = ± 0.25
3. TERMINAL NUMBERS FOR REF ONLY
4. CONTACT MATERIAL: SILVER
5. CONTACT RATINGS: 16A @ 125VAC T85 [cULus]  
8A @ 250VAC T85 [cULus]  
16(4)A 250V~ 1E4 T125/55 [ENEC]
6. CONTACT RESISTANCE: 20mΩ MAX. INITIAL
7. INSULATION RESISTANCE: 100MΩ MIN. @ 500VDC
8. DIELECTRIC STRENGTH: 1,000VAC FOR 1 MINUTE
9. ELECTRICAL LIFE: 6,000 CYCLES [cURus]
10. OPERATING TEMPERATURE: -20°C TO 55°C [cURus]
11. ▲ DENOTES CRITICAL PARAMETER
12. 2002/95/EC (ROHS) COMPLIANT



C	21020	CORRECT NOTED DIMENSIONS	2/11/12	EBP
B	20565	Add terminal width dimension	4/23/12	rc
A	20527	RELEASE FOR PRODUCTION	3/26/2012	MM
REV	PCR NO	DESCRIPTION	DATE	BY



TITLE RB212C1121

SCALE 1:1	DATE 3/26/2012	DR MM	DWG 38-RB212C1121	REV C
--------------	-------------------	----------	----------------------	----------

THE INFORMATION CONTAINED IN THIS DOCUMENT IS PROPRIETARY TO E-SWITCH AND IS NOT TO BE COPIED OR TRANSFERRED