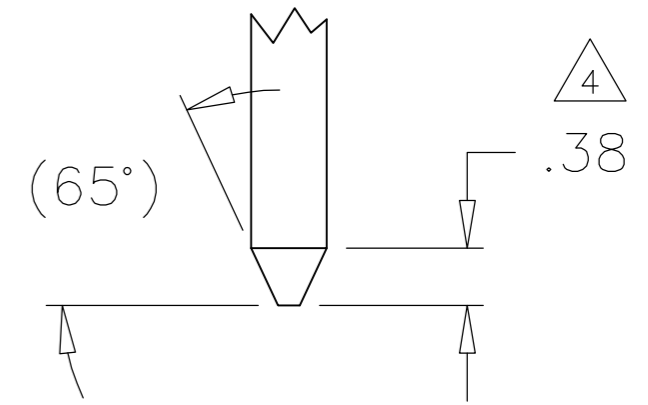
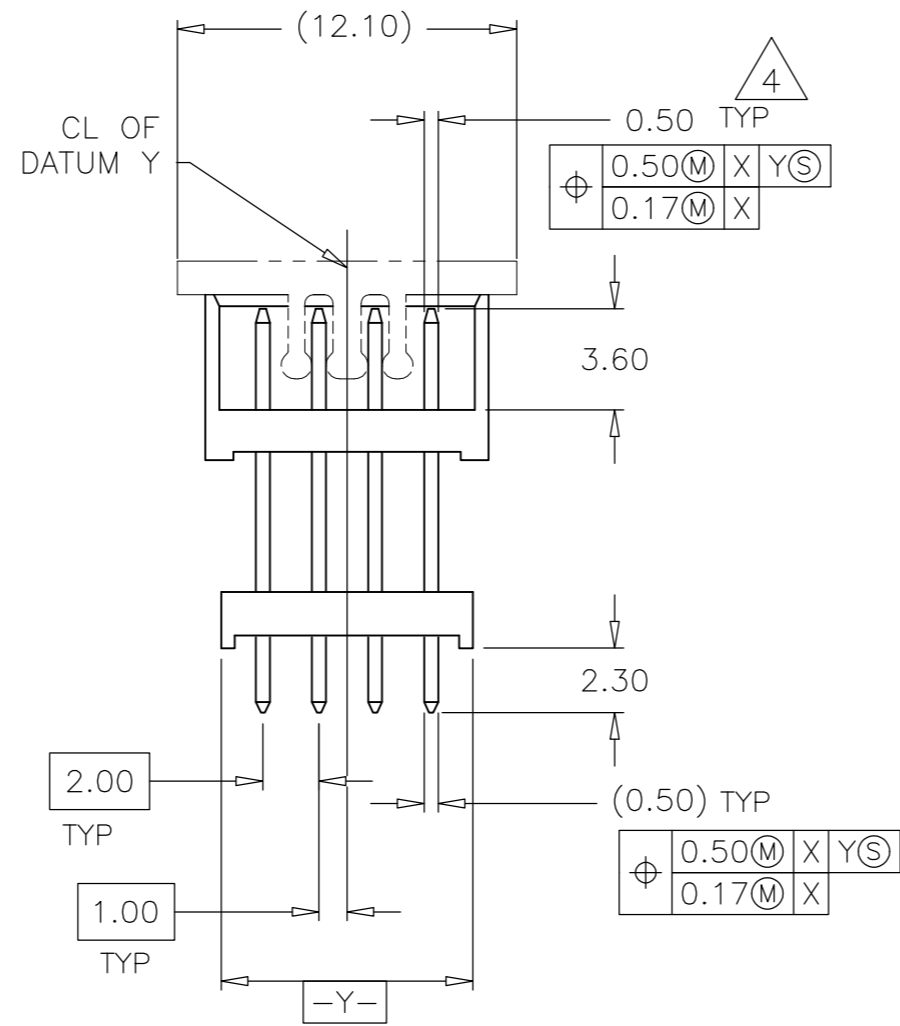
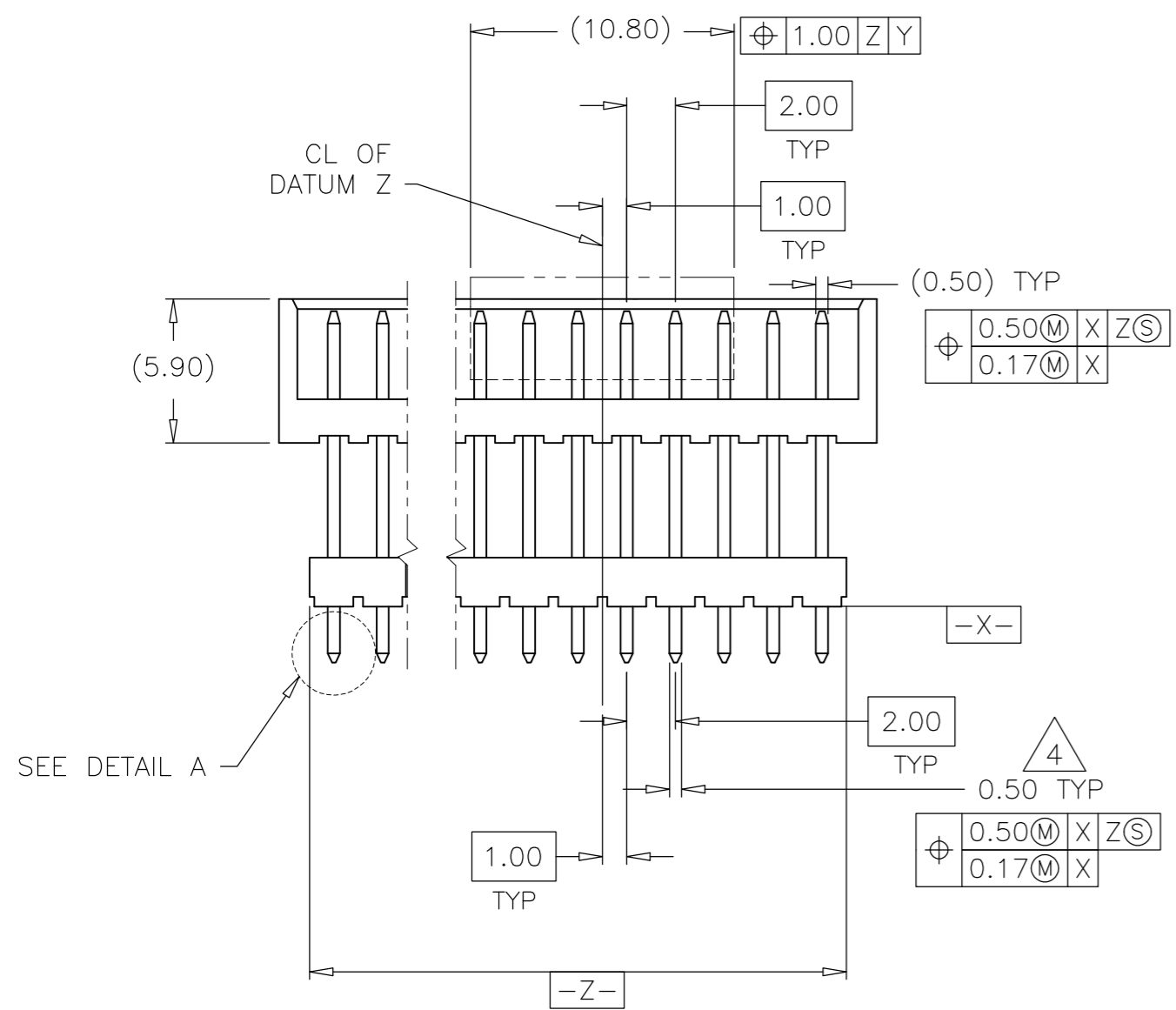
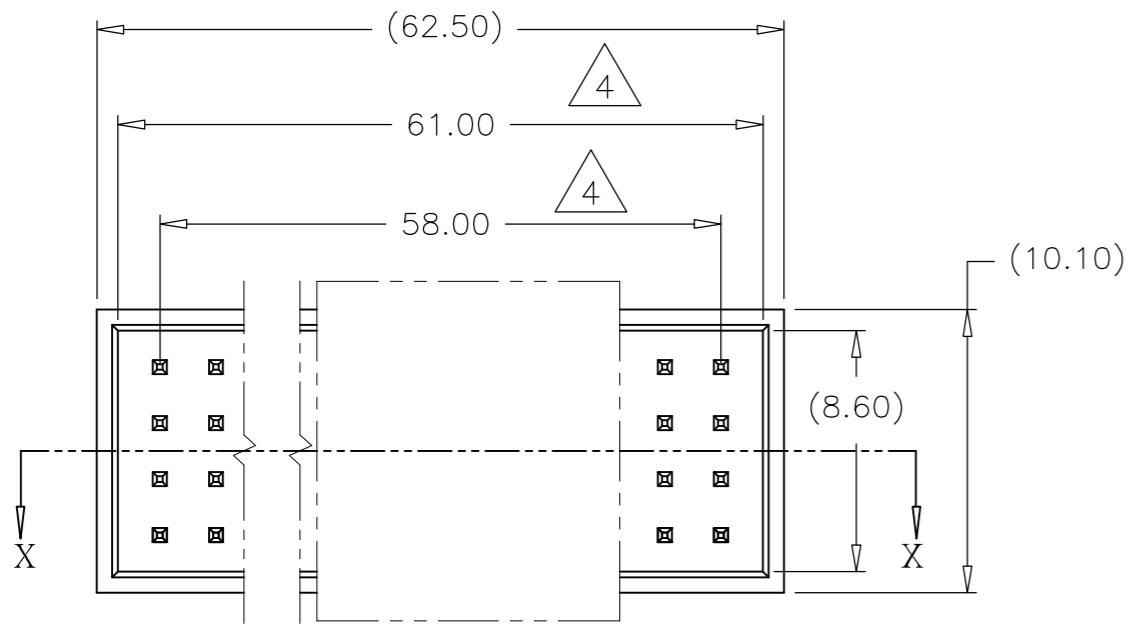
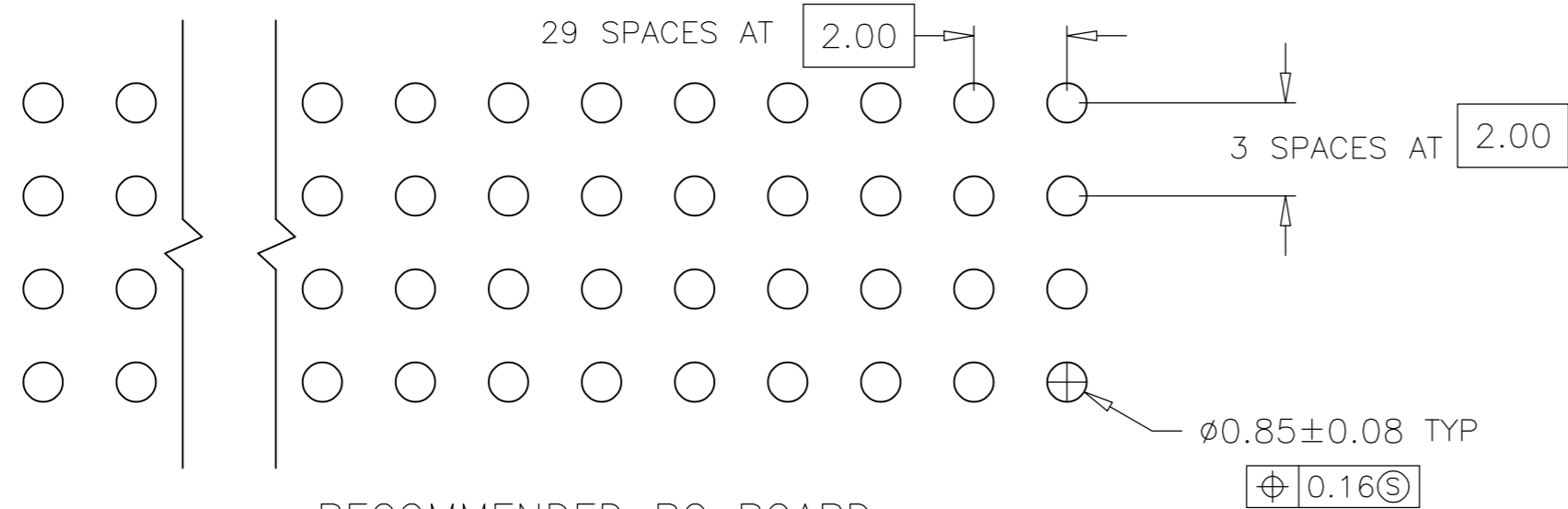


THIS DRAWING IS UNPUBLISHED. RELEASED FOR PUBLICATION
 © COPYRIGHT - By - ALL RIGHTS RESERVED.

LOC		DIST		REVISIONS			
P	LTR	DESCRIPTION	DATE	DWN	APVD		
AD	00						
	K	REVISED PER ECO-11-012012	29AUG11	HMR	JO		



DETAIL A
SCALE: 3:1



RECOMMENDED PC BOARD
HOLE LAYOUT

TOLERANCES NOT TO ACCUMULATE WITHIN
ONE CONNECTOR PATTERN.

1. SPECIFICATIONS-

CONTACT MATERIAL: PHOSPHOR BRONZE,
VACUUM CAP & INSULATOR MATERIAL: HIGH TEMPERATURE THERMOPLASTIC, LCP

PACKAGING: TAPE AND REEL PER EIA-481

- 2 CONTACT FINISH: DUPLEX PLATED 0.000762 GOLD ON CONTACT AREA, TIN-LEAD ON SOLDER LEADS
- 3 CONTACT FINISH: DUPLEX PLATED 0.000762 GOLD ON CONTACT AREA, 0.00381 TIN ON SOLER LEADS 0.00127 NICKEL UNDERPLATING
- 4 CRITICAL TO QUALITY

SUPERSEDED BY 5-1571556-1

3	120	5-1571556-1
2	120	1571556-1
FINISH	NO OF POSN	PART NUMBER

THIS DRAWING IS A CONTROLLED DOCUMENT.		DWN	18MAR04	STE TE Connectivity	
DIMENSIONS: mm		R BROWN	18MAR04	NAME	
TOLERANCES UNLESS OTHERWISE SPECIFIED:		CHK D SIMPSON	18MAR04	PRODUCT SPEC	
0 PLC ± -		APVD D SIMPAON	18MAR04	108-2273-1	
1 PLC ± 0.25		APPLICATION SPEC		114-13177	
2 PLC ± 0.25		MATERIAL		WEIGHT	
3 PLC ± -		FINISH		SCALE 1:1	
4 PLC ± -		CUSTOMER DRAWING		SHEET 1 of 1	
ANGLES ± 4°		SIZE A2		CAGE CODE 00779	
FINISH		DRAWING NO		RESTRICTED TO	
		114-13177		C=1571556	
		WEIGHT		REV K	