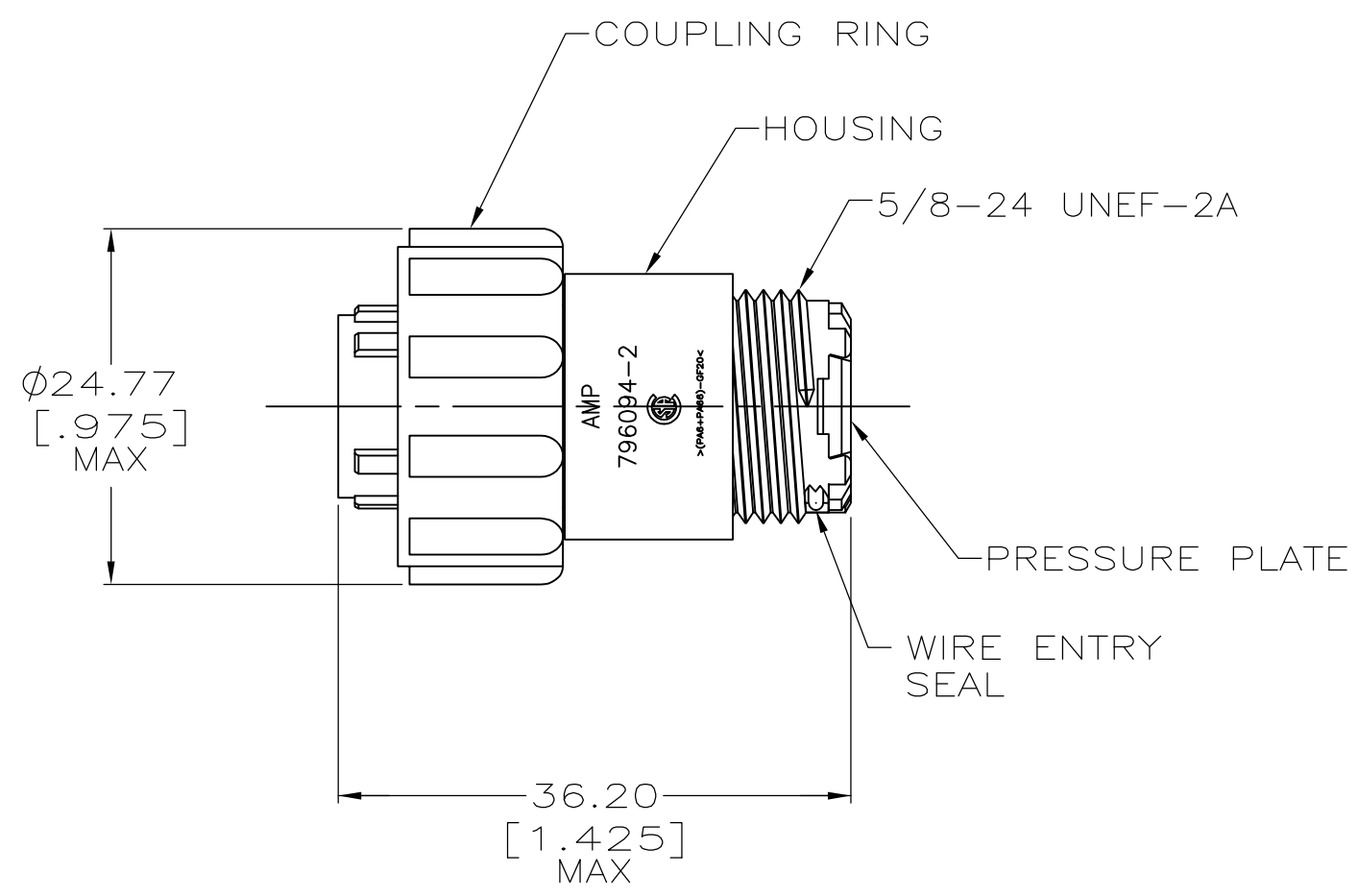
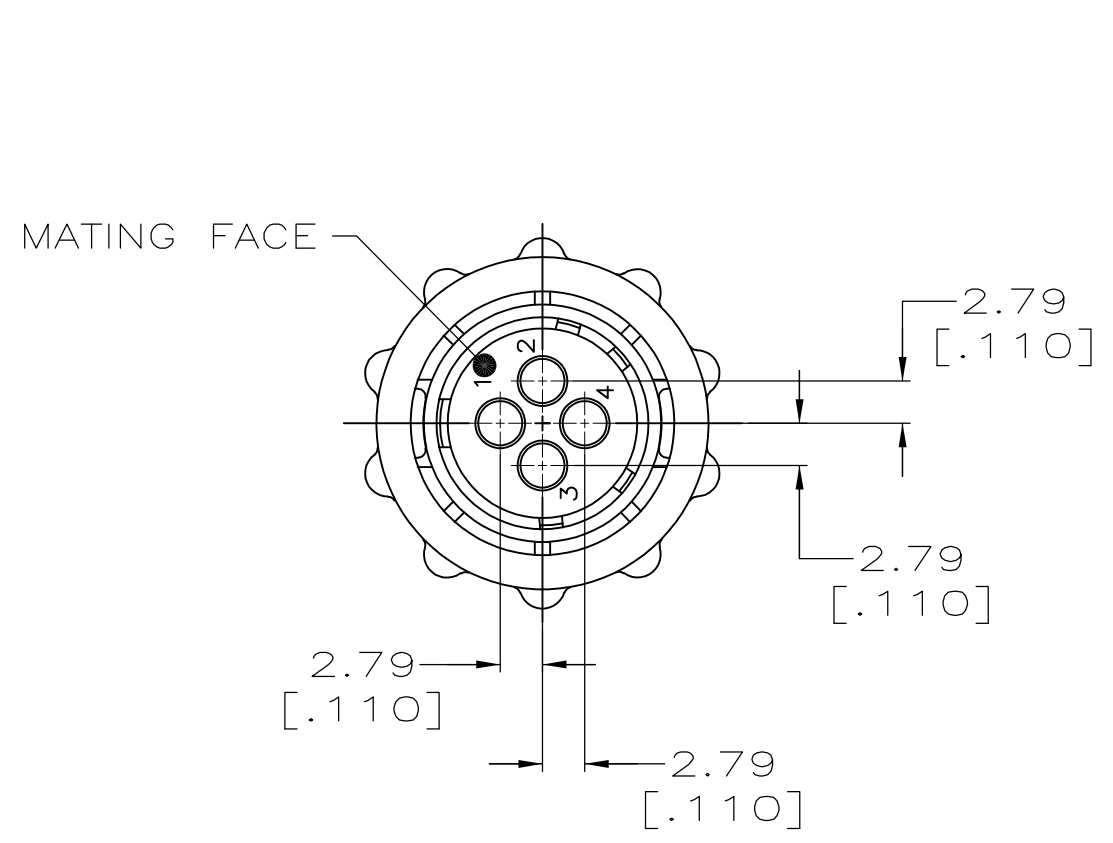


THIS DRAWING IS UNPUBLISHED. RELEASED FOR PUBLICATION
 © COPYRIGHT - By - ALL RIGHTS RESERVED.

LOC	DIST	REVISIONS					
FT	0	P	LTR	DESCRIPTION	DATE	DWN	APVD
			B1	REVISED PER ECO-11-004917	11MAR11	RK	HMR



- 1. THIS PART WILL ACCEPT FOUR (4) MULTIMATE SOCKET CONTACTS.
- ② COUPLING RING, HOUSING, AND PRESSURE PLATE: NYLON, BLACK.
WIRE ENTRY SEAL: ELASTOMER, RED-IRON OXIDE.
- ③ PRELIMINARY PART NUMBER.

③ PULL FREE	796094-4
METAL	796094-3
STANDARD	796094-2
COUPLING RING STYLE	PART NUMBER

THIS DRAWING IS A CONTROLLED DOCUMENT.		DWN	C.DORWART	31 AUG 98	STE TE Connectivity		
DIMENSIONS: mm [INCHES]		CHK	R.WALTER	31 AUG 98			
TOLERANCES UNLESS OTHERWISE SPECIFIED:		APVD	R.WALTER	31 AUG 98	NAME		
0 PLC ± -		PRODUCT SPEC		PLUG ASSEMBLY, 11-4, STANDARD SEX, SERIES I, SEALED, CIRCULAR PLASTIC CONNECTOR			
1 PLC ± -		APPLICATION SPEC		SIZE			
2 PLC ± 0.13 [.005]		WEIGHT		A3 00779		CAGE CODE	
3 PLC ± -		CUSTOMER DRAWING		C-796094		DRAWING NO	
4 PLC ± -		SCALE		2:1		SHEET	
ANGLES ± -		RESTRICTED TO		1 OF 1		REV	
FINISH		SCALE		2:1		REV	
MATERIAL		RESTRICTED TO		1 OF 1		B1	