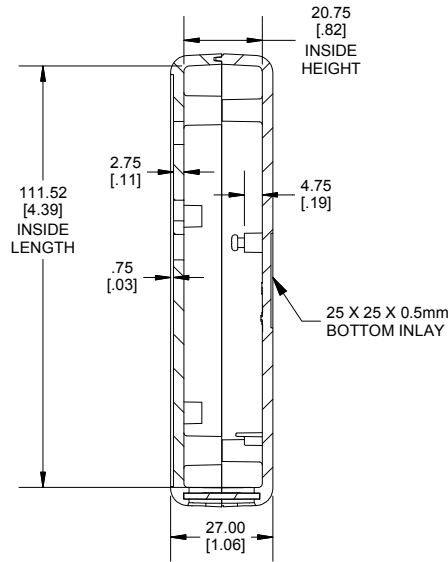
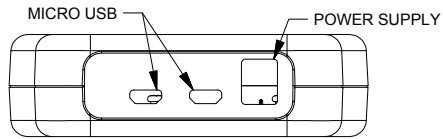
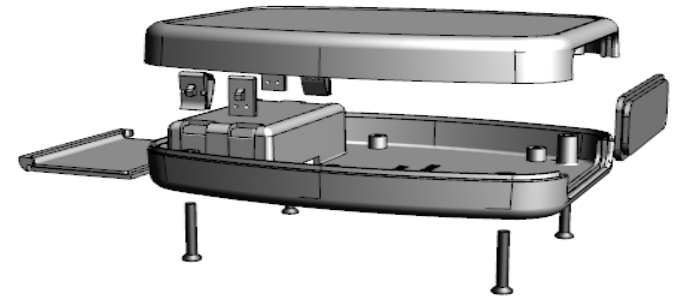


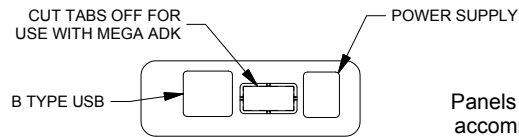
**A**  
**TOP VIEW**



**SECTION A-A**

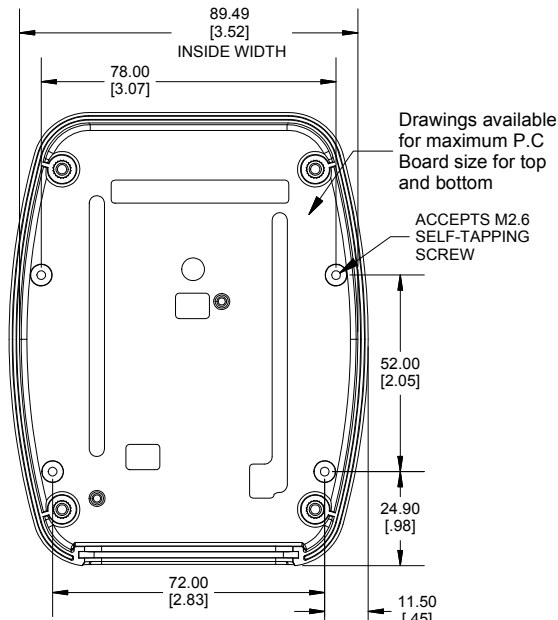


**DUE FRONT VIEW**

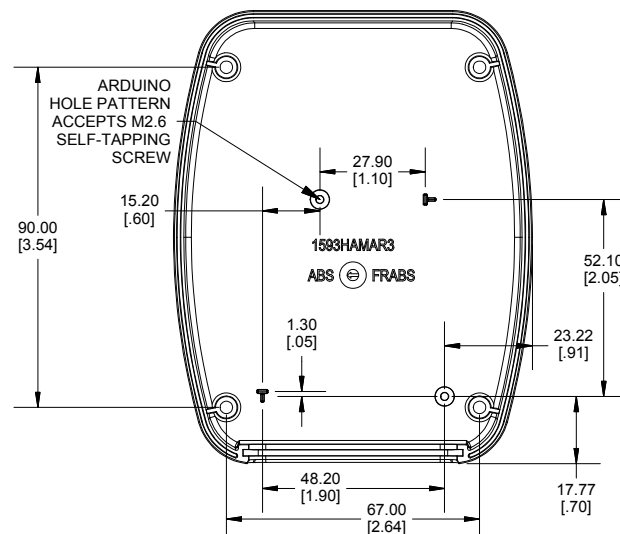


**MEGA / MEGA  
APK PANEL**

**NOTE:**  
Panels can be swapped out to accommodate Arduino boards (MEGA 2560, DUE, MEGA ADK,) Will also work with (UNO, 101, Zero, Leonardo, and other similar Arduino copies)



**INSIDE TOP**



**INSIDE BOTTOM**

Enclosures can be Factory Modified ( Milling, Drilling, Printing etc.)  
Contact Factory [mjm@hammondmfg.com](mailto:mjm@hammondmfg.com) for quotes  
Solid models of this enclosure available in STEP or IGES.  
(Part number and text placement/orientation on our products are subject to change, we do not recommend using them as a locating reference for modification purposes)

**Note**

Purchased assembly includes top and bottom cover, 2 front panels (works with Arduino due, Mega ADK, Mega 2560) 4 cover screws, 2 screws to secure Arduino board.  
Enclosure made from general purpose ABS

**Recommended Cover Screw Torque 43-50 ozf-in (30-35cN-m)**

**PART NUMBERS**

**1593HAMAR3**

Black Enclosure	1593HAMAR3BK
Grey Enclosure	1593HAMAR3GY
Translucent Blue Enclosure	1593HAMAR3TBU

**ACCESSORIES**

1593HAMAR3 Due End Panel (Single Panel)	1593ARL8BK-B (Black) 1593ARL8GY-B (Grey) 1593ARL8TBU-B (Blue)
1593HAMAR3 Mega End Panel (Single Panel)	1593ARL9BK-B (Black) 1593ARL9GY-B (Grey) 1593ARL9TBU-B (Blue)
Replacement Cover Screws [M3-0.5 x 18mm] (Pkg 100)	1594MS100 (Silver) 1594MS100BK (Black)
P.C. Board Screws (M2.6 X 6mm Self Tapping)	SC519-50 (Pkg 50)

**Dimensions:**  
mm  
[inches]

**1593HAMAR3**  
[www.hammondmfg.com](http://www.hammondmfg.com)