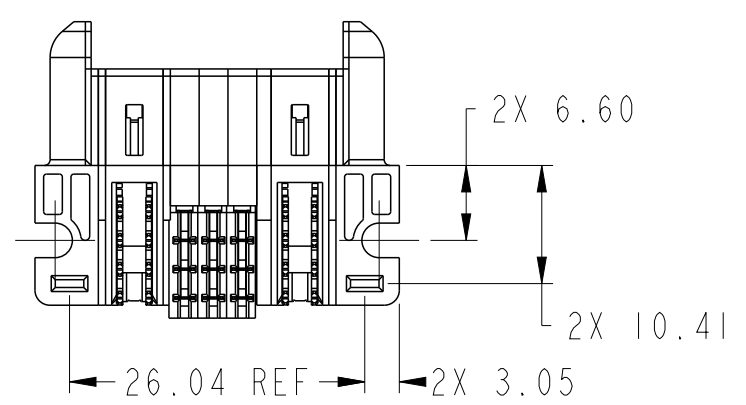
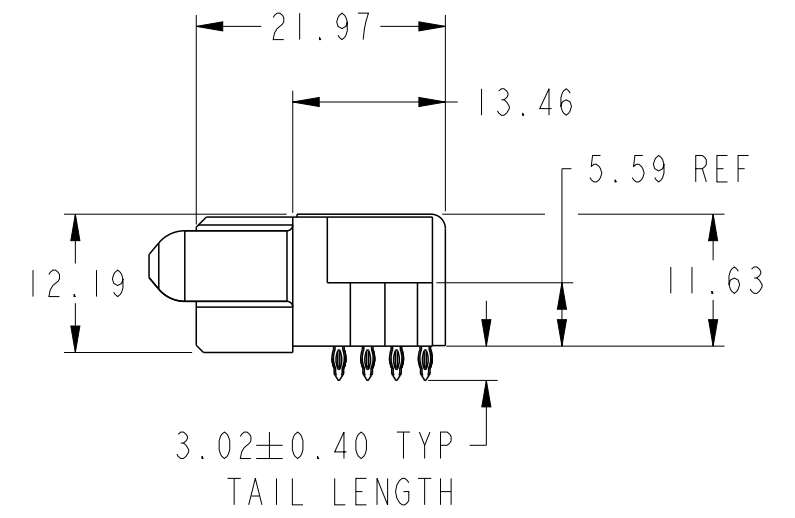
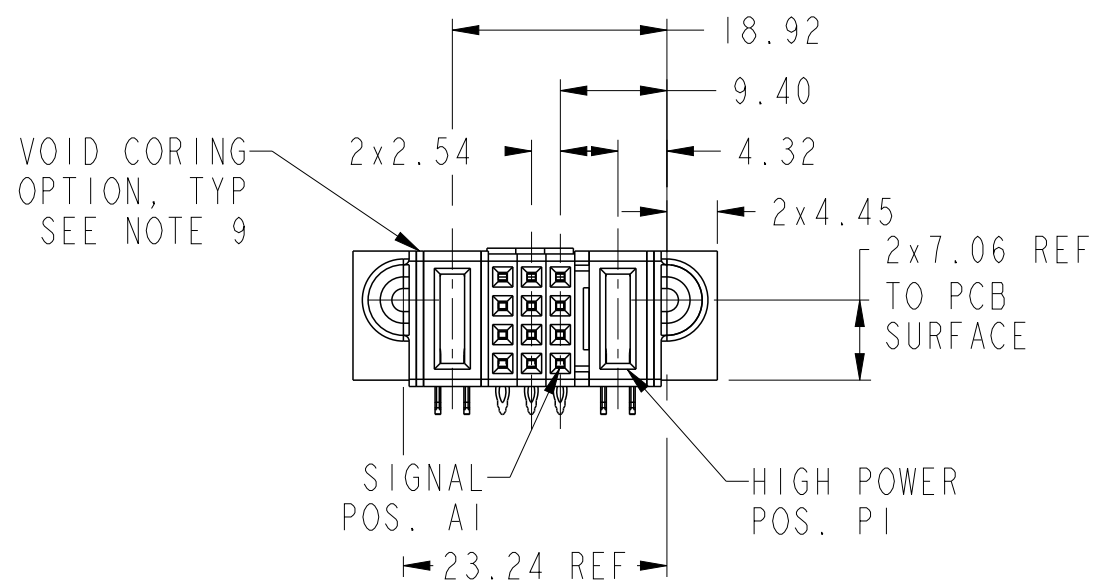
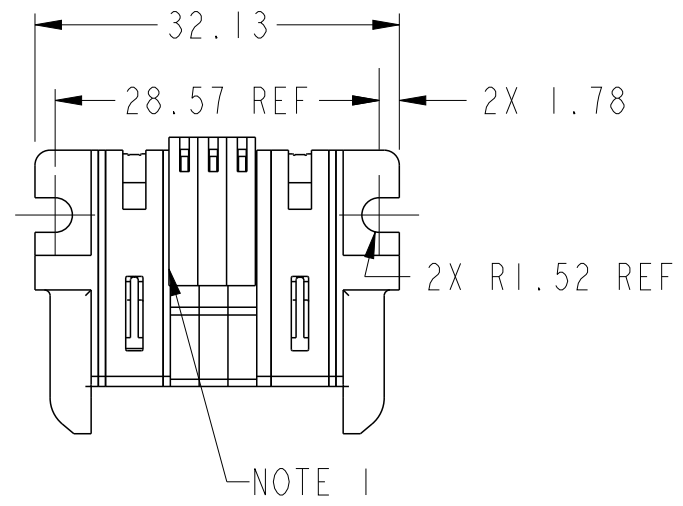


PRODUCT NUMBER SEE SHEET 2

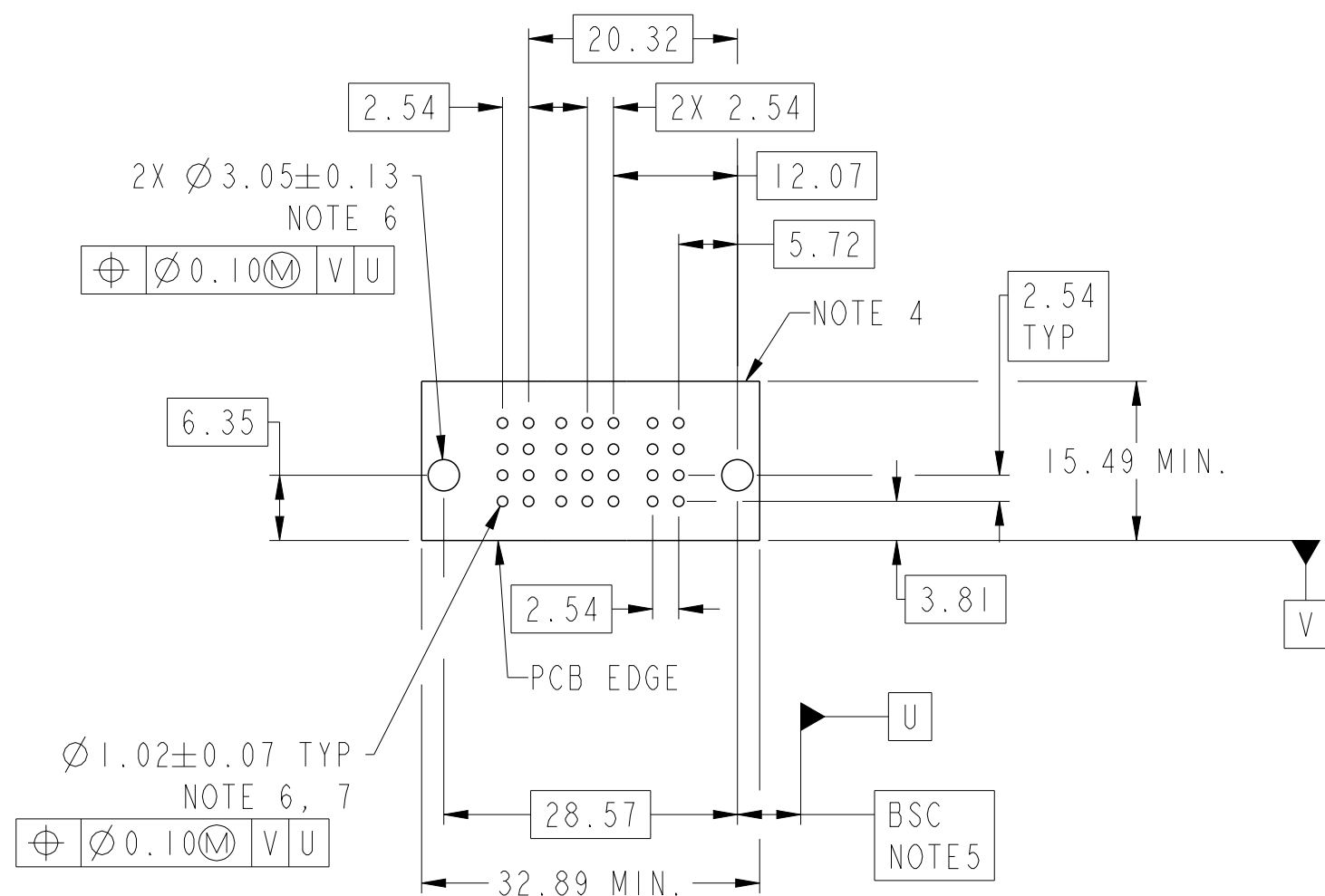


Copyright FCI.

spec ref	*	dr	Xie Bob	2013/06/28	projection	MM	size	A3	scale	3:2								
tolerance std	ASME Y14.5	eng	Xie Bob	2013/07/08			ecn no	-	rel level	Released								
TOLERANCES UNLESS OTHERWISE SPECIFIED		chr	Li-He	2013/07/07							product family	PwrBlade+						
surface	<input checked="" type="checkbox"/> linear <input type="checkbox"/> angular	appr	Pei-Ming Zheng	2013/07/08			title IHP + 12S + IHP RA PF RECEPTACLE	dwg no 10106265-2003001	rev A									
ASME Y14.5	<table border="1"> <tr><td>0.X</td><td>±0.5</td></tr> <tr><td>0.XX</td><td>±0.25</td></tr> <tr><td>0.XXX</td><td>±0.10</td></tr> <tr><td>0°</td><td>±2°</td></tr> </table>	0.X	±0.5	0.XX	±0.25	0.XXX	±0.10	0°	±2°	www.fci.com		cat. no.	Product - Customer Drw		sheet 1 of 3			
0.X	±0.5																	
0.XX	±0.25																	
0.XXX	±0.10																	
0°	±2°																	

PRODUCT NO.	ROWS	HP		SIGNAL			HP	
		E1	P2	3	2	1	P1	E2
10106265-2003001LF	DCBA	H7		S	R	P	H5	

CODE	DESCRIPTION
H5	MFBL HIGH POWER CONTACT
H7	STD HIGH POWER CONTACT
N	STD SIGNAL CONTACT, ROW A
P	STD SIGNAL CONTACT, ROW B
R	STD SIGNAL CONTACT, ROW C
S	STD SIGNAL CONTACT, ROW D



dr	Xie Bob	2013/06/28	projection	MM	size	A3	scale	3:2
eng	Xie Bob	2013/07/08			ecn no		-	
chr	Li-He	2013/07/07			rel level		Released	
appr	Pei-Ming Zheng	2013/07/08	product family		PwrBlade+			
			title IHP + 12S + IHP RA PF RECEPTACLE			dwg no 10106265-2003001		rev A
www.fci.com			cat. no.		Product - Customer Drw		sheet 2 of 3	

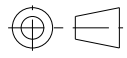
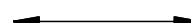

Copyright FCI.

NOTES:

- 1) "FCI", PART NUMBER AND DATE CODE TO BE MARKED ON THIS SURFACE.
THE P/N CAN BE OMITTED IF THERE IS NOT ENOUGH SPACE ON THIS SURFACE.
- 2) MATERIALS:
-HOUSING - GLASS FILLED WITH HIGH TEMP THERMOPLASTIC, UL94V-0.
-SIGNAL CONTACT - COPPER ALLOY.
-POWER CONTACT - HIGH CONDUCTIVITY COPPER ALLOY.
- 3) PLATING SPECIFICATION REFER TO FCI 10116351
- 4) DENOTES CONNECTOR KEEP OUT ZONE.
- 5) DATUM AND BASIC DIMENIONS WERE ESTABLISHED BY CUSTOMER.
- 6) ALL HOLE DIAMETERS ARE FINISHED HOLE SIZES.
- 7) 1.15 ± 0.025 MM DRILLED HOLE PLATED WITH 0.00762MM MIN Sn
OVER 0.0254-0.0762MM Cu PLATING TO ACHIEVE A 1.02 ± 0.07 MM HOLE.
- 8) PRODUCT SPECIFICATION REFER TO FCI GS-12-658.
APPLICATION SPECIFICATION REFER TO FCI GS-20-141.
PRODUCT PACKAGED IN TRAYS, REFER TO FCI GS-14-1502.
- 9) THE VOID CORING IN BETWEEN POWER MODULES, SIGNAL
MODULES AND END MODULES ARE OPTIONAL AND THE SHAPE
MAY BE DIFFERENT FOR OPTIMIZE THE MOLDING PROCESS. THE
VOID CORING WILL NOT EFFECT TO PRODUCT FUNCTION.



Copyright FCI.

dr	Xie Bob	2013/06/28	projection 	MM 	size	A3	scale	3:2
eng	Xie Bob	2013/07/08			ecn no	-		
chr	Li-He	2013/07/07			rel level	Released		
appr	Pei-Ming Zheng	2013/07/08	product family	PwrBlade+				
		title IHP + 12S + IHP RA PF RECEPTACLE		dwg no 10106265-2003001	rev A			
www.fci.com		cat. no.	Product - Customer Drw		sheet 3 of 3			