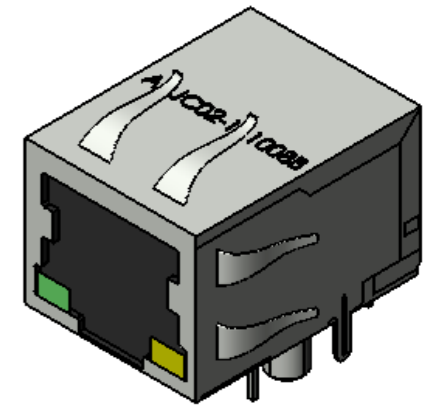
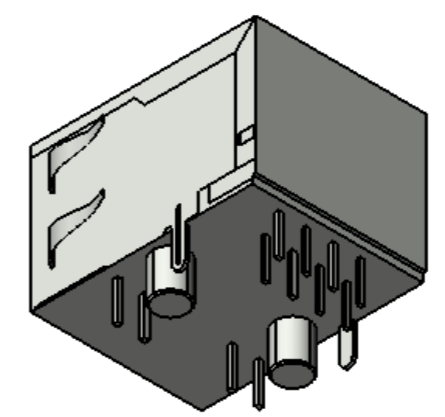
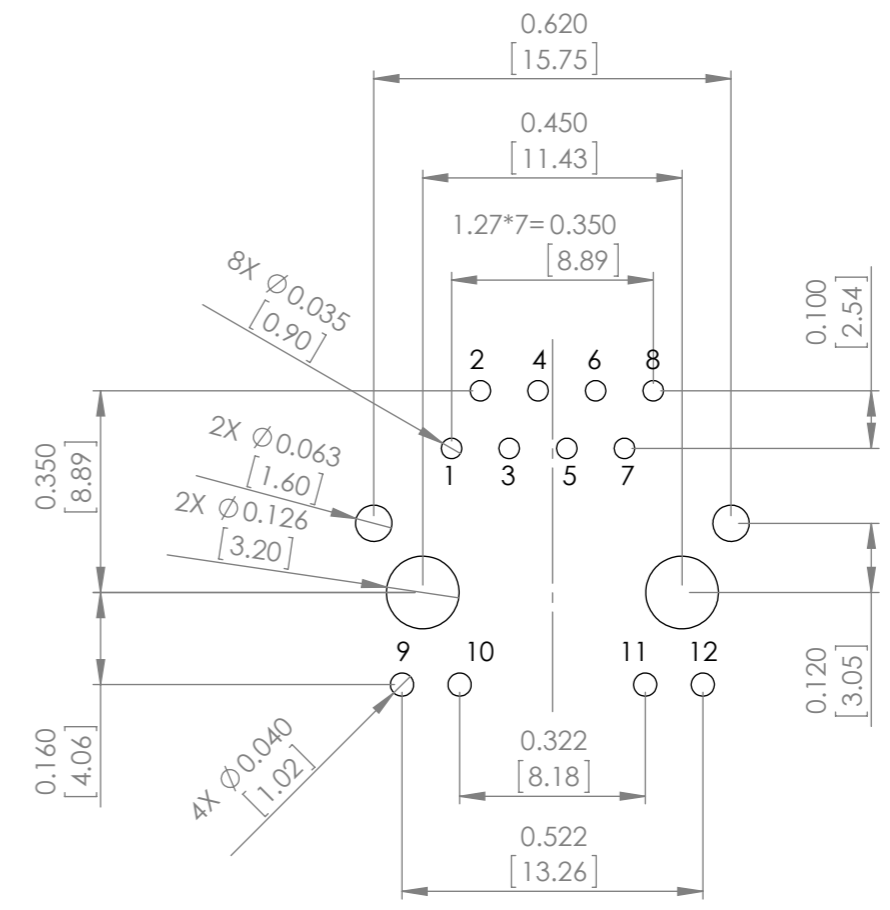
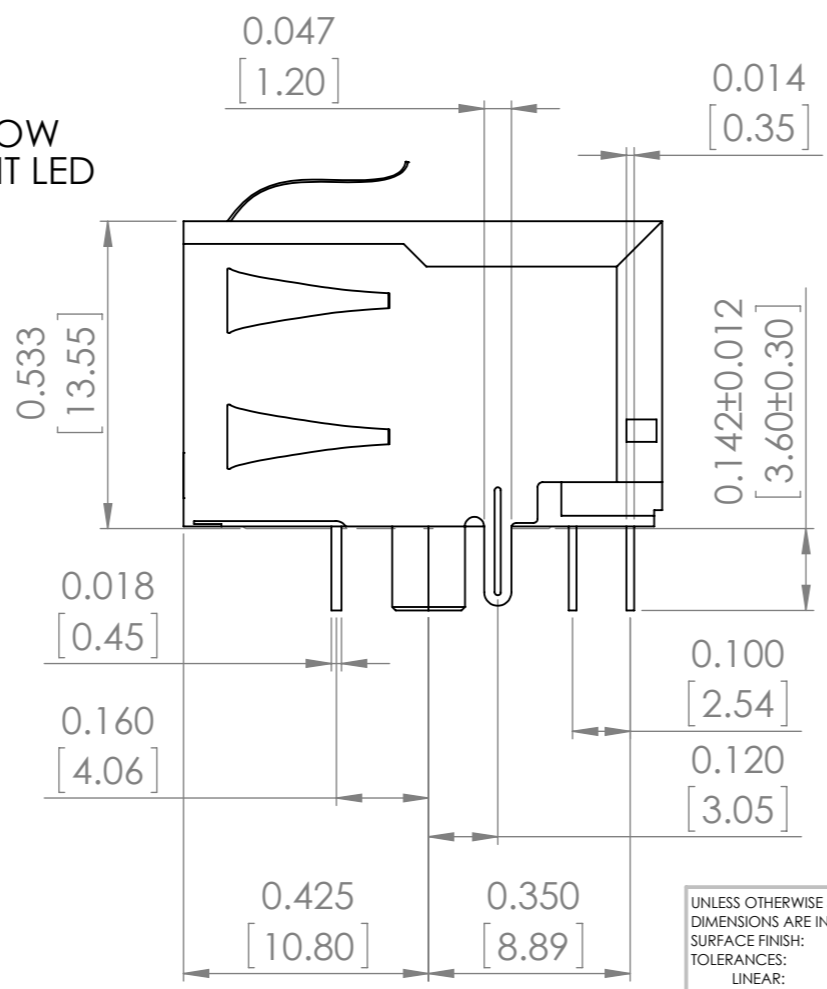
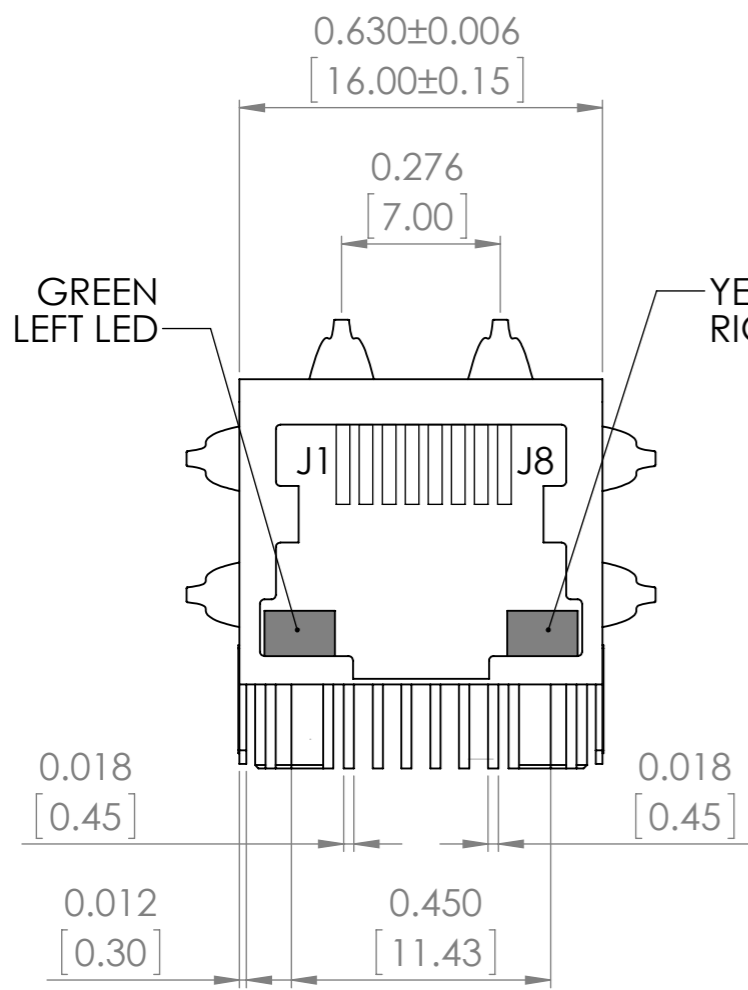
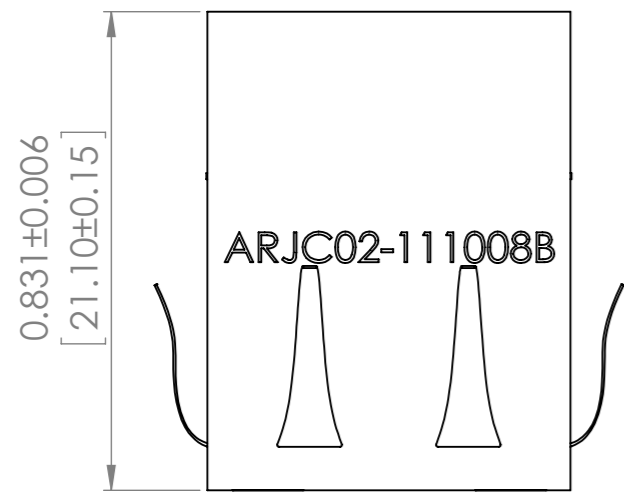



### Recommended Land Pattern



UNLESS OTHERWISE SPECIFIED: DIMENSIONS ARE IN MM SURFACE FINISH: TOLERANCES: LINEAR: ANGULAR:				FINISH:		DEBUR AND BREAK SHARP EDGES		DO NOT SCALE DRAWING		REVISION	
DRAWN				SIGNATURE		DATE		 <p>30332 Esperanza, Rancho Santa margarita, California 92688</p> <p>TITLE: RJ45</p> <p>DWG NO. ARJC02-111008B</p> <p>SCALE:3:1</p> <p>SHEET 1 OF 1</p>			
CHK'D				MATERIAL:		WEIGHT:					
APPV'D											
MFG											
Q.A											
								A3			