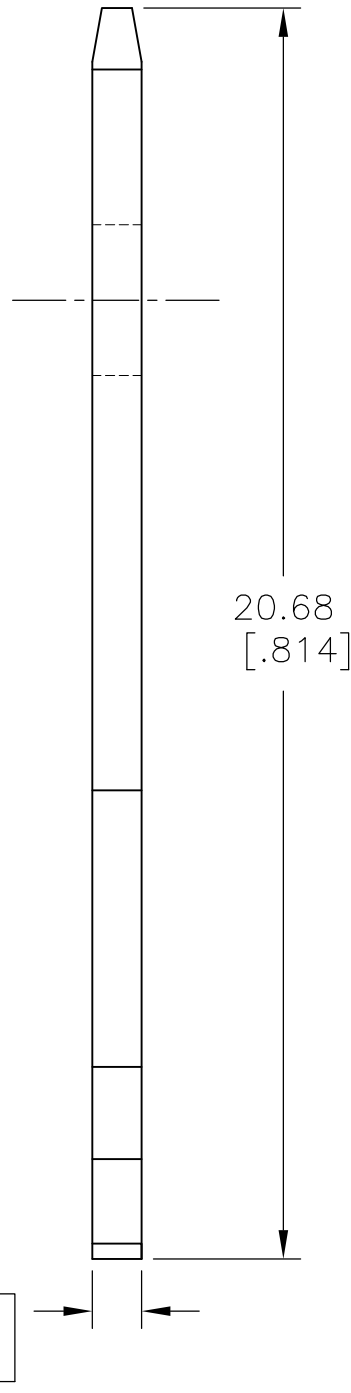
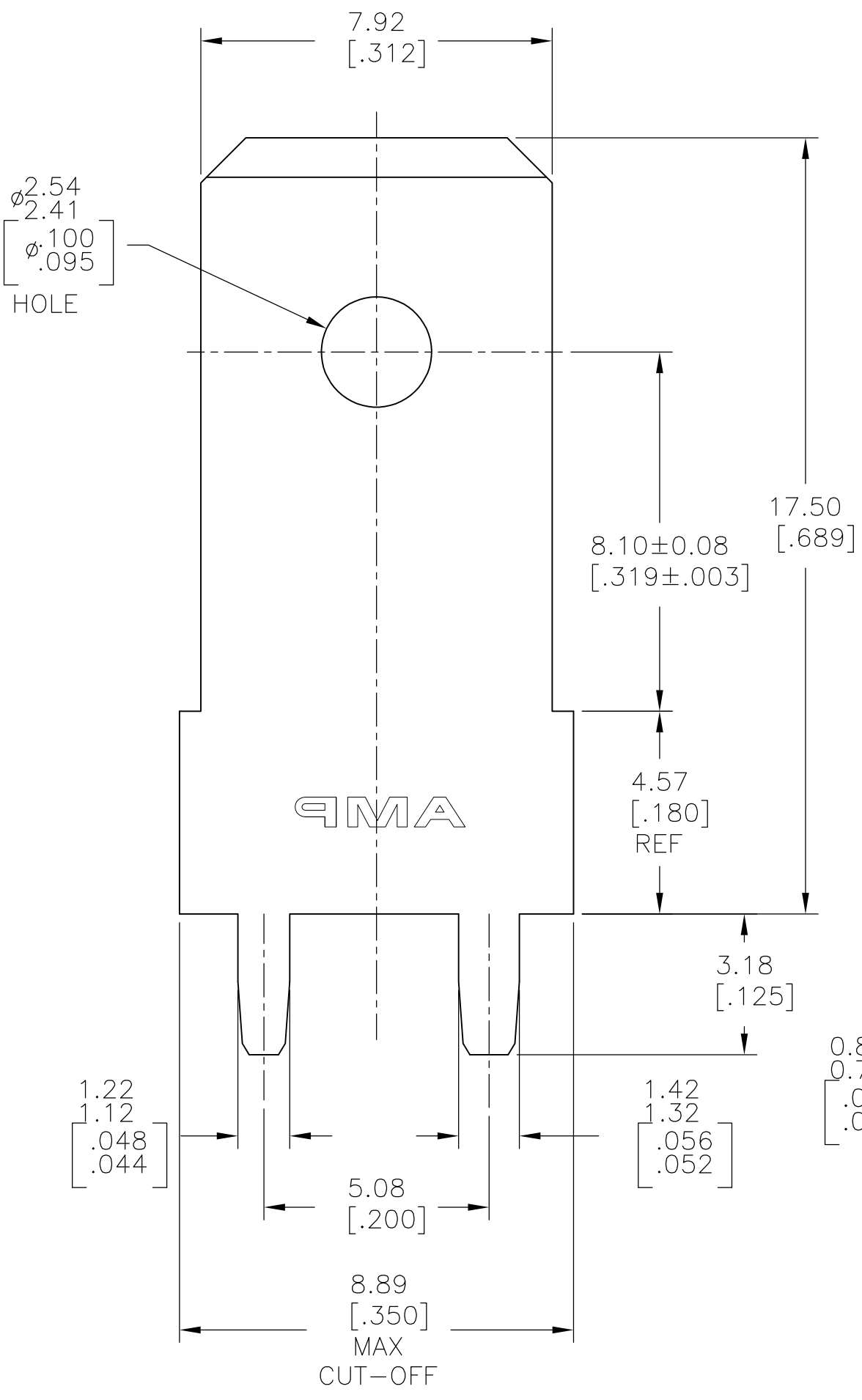
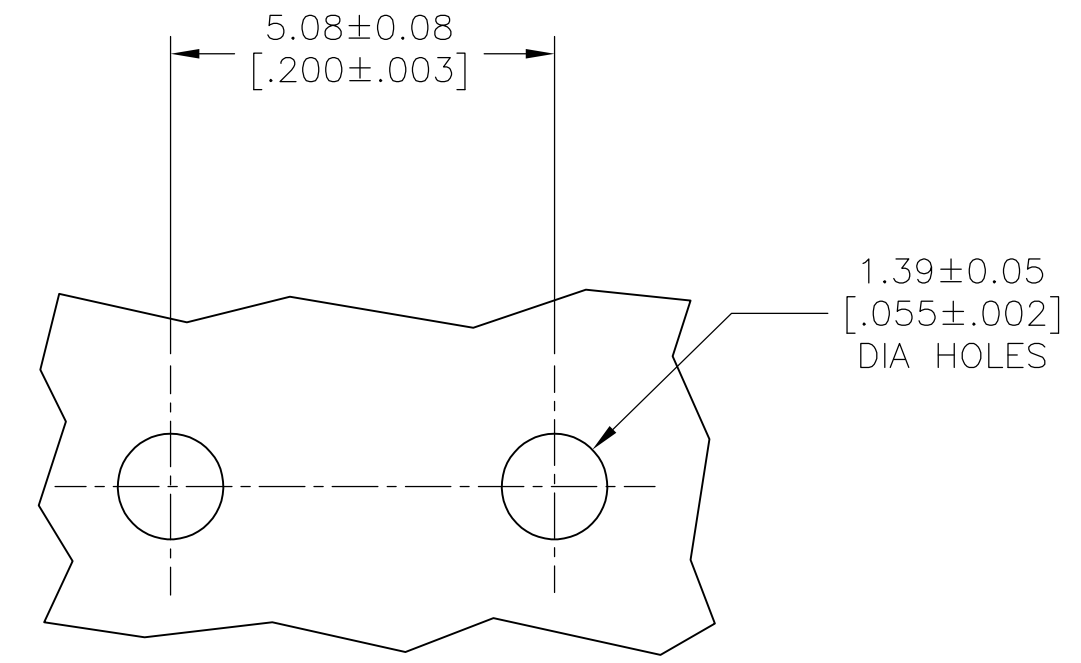


THIS DRAWING IS UNPUBLISHED. RELEASED FOR PUBLICATION
 © COPYRIGHT - By - ALL RIGHTS RESERVED.

LOC	DIST	REVISIONS					
		P	LTR	DESCRIPTION	DATE	DWN	APVD
-	-						
		C		REVISED PER ECR-13-001204	04JUL13	KH	PD



1 SUPPLIED IN LOOSE PIECE
 2 0.00381 [.000150] MIN TIN OVER
 0.00254 [.000100] MIN THK COPPER.



1742803-1
 PART NUMBER

THIS DRAWING IS A CONTROLLED DOCUMENT.		DWN S SCHLEGEL 19MAY03	STE TE Connectivity	
DIMENSIONS: mm [INCHES]		CHK P DESANTIS 7/20/09		
TOLERANCES UNLESS OTHERWISE SPECIFIED:		APVD P DESANTIS 7/20/09	NAME	
0 PLC ± -		PRODUCT SPEC		
1 PLC ± -		APPLICATION SPEC		
2 PLC ± .010		SIZE CAGE CODE DRAWING NO RESTRICTED TO		
3 PLC ± -		A3 00779 C-1742803		
4 PLC ± -		SCALE 8:1 SHEET 1 OF 1 REV C		
ANGLES ± -		CUSTOMER DRAWING		
MATERIAL BRASS	FINISH TIN OVER COPPER			