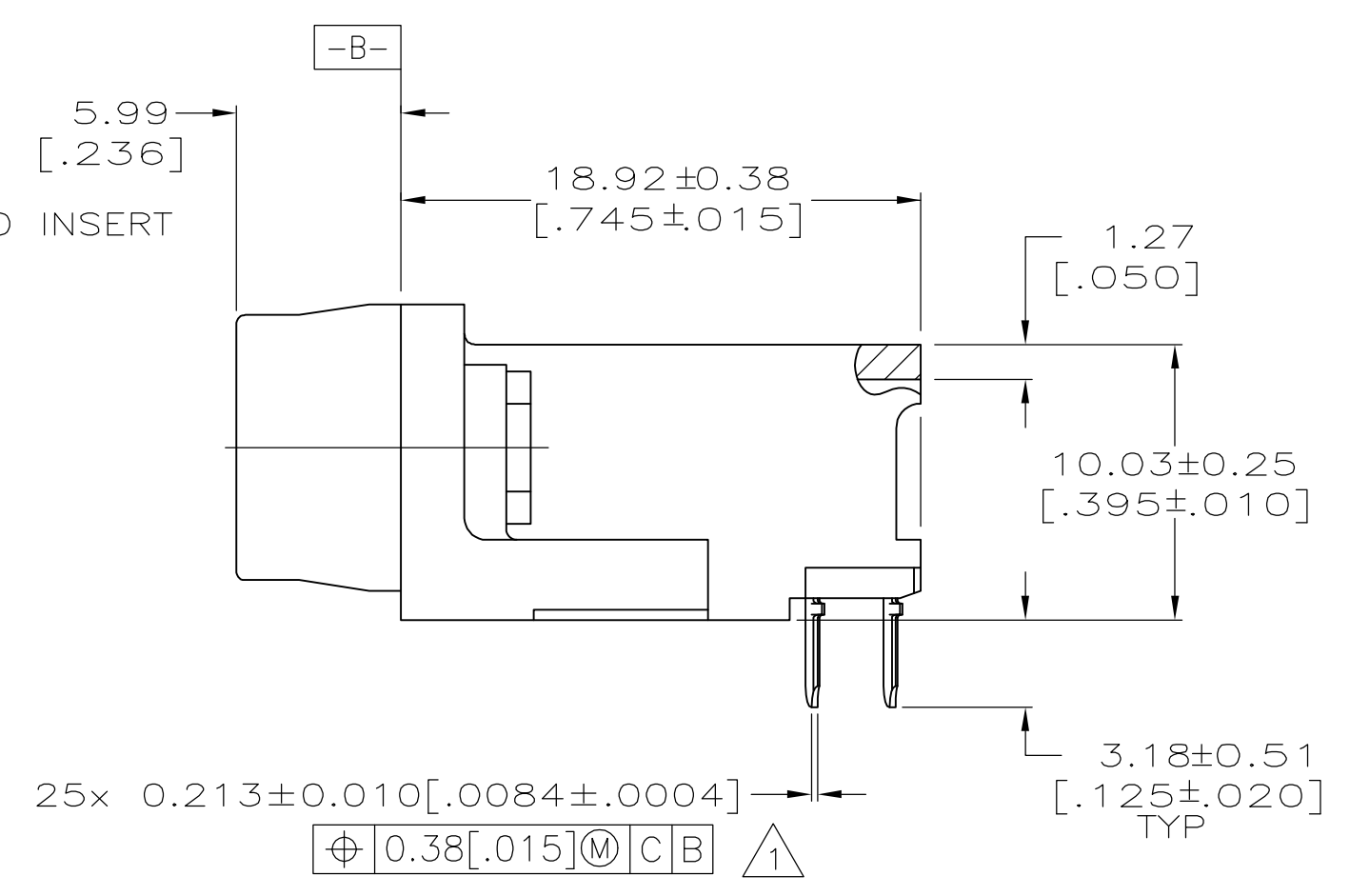
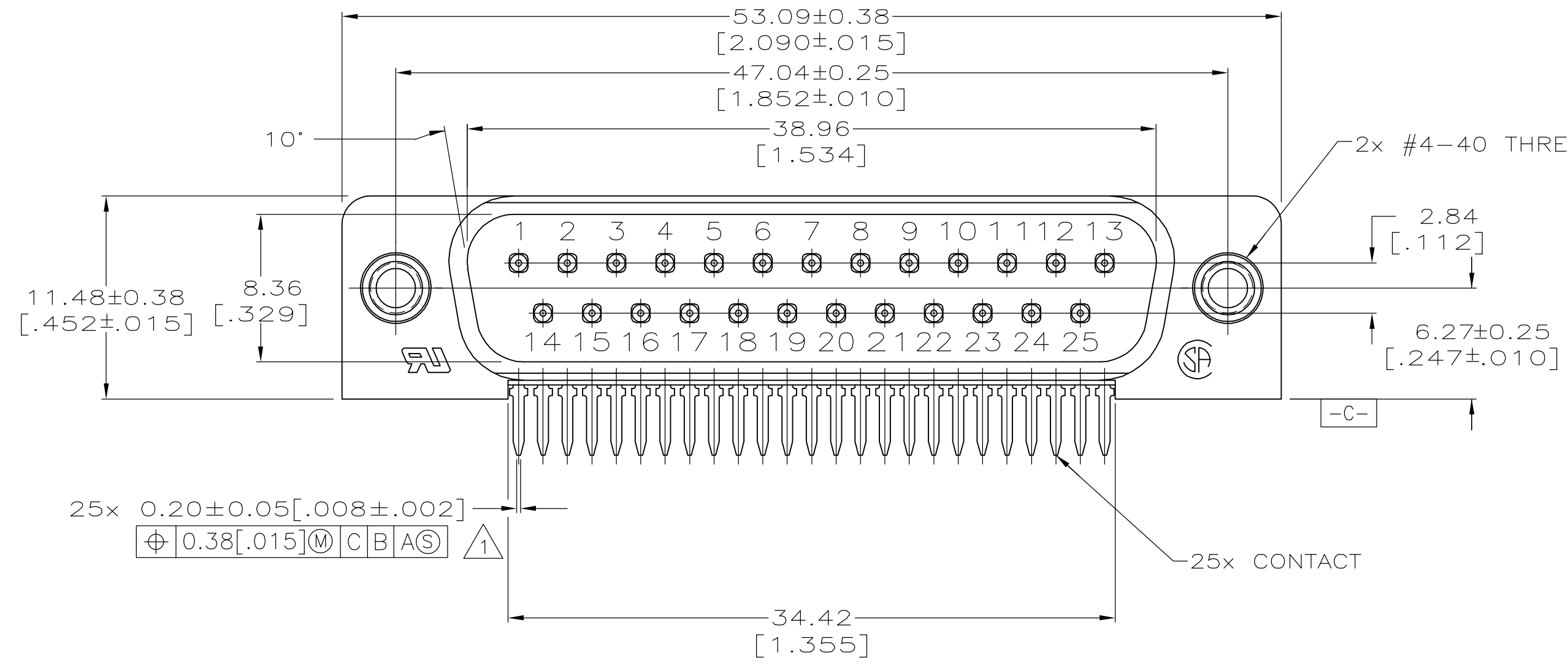
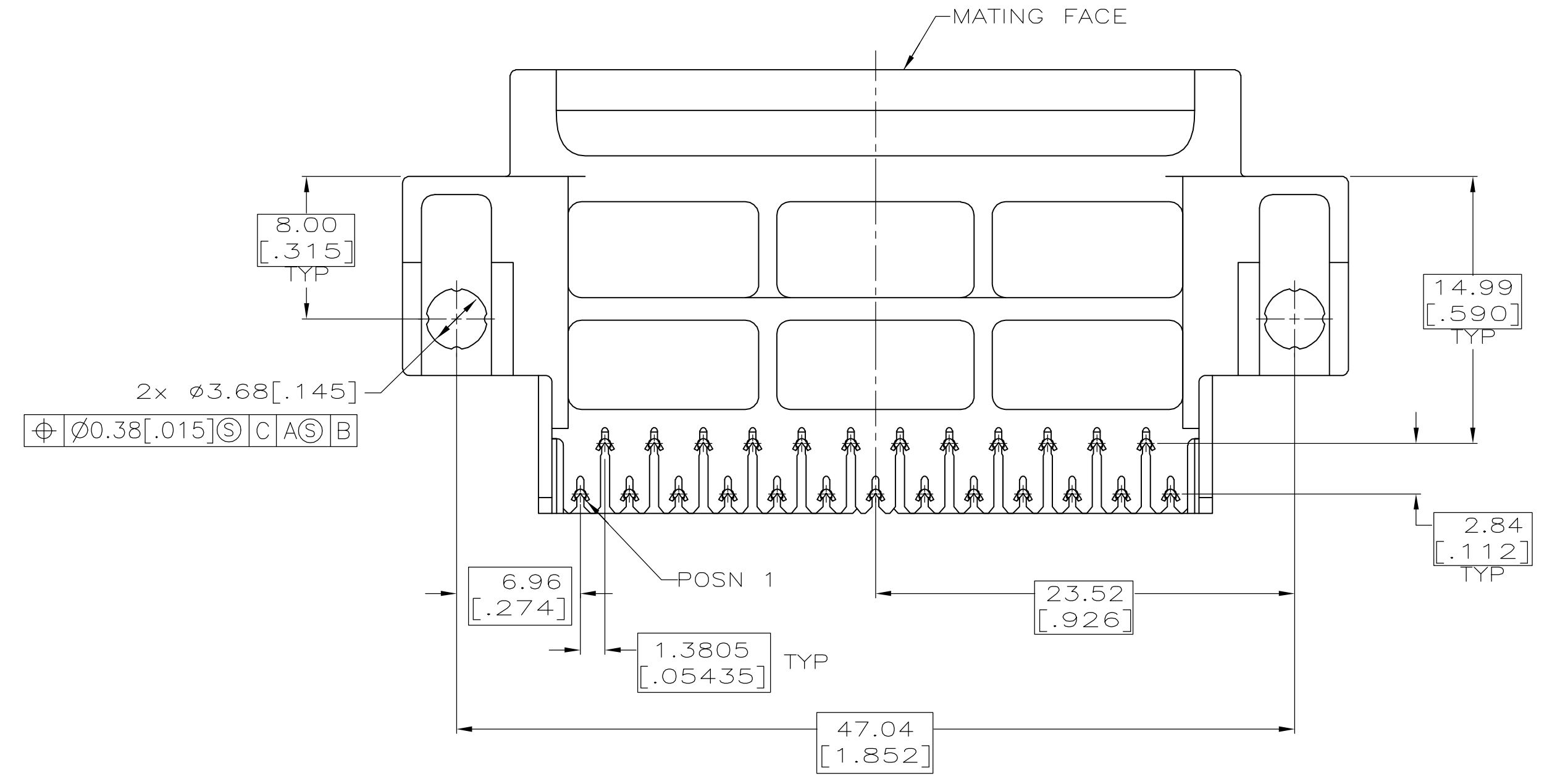


TYCO, PART NO & DATE CODE, MARKED IN AREA INDICATED



- ① POSITION TOLERANCE APPLIES AT TIP ONLY.
- ② HOUSING: FLAME RETARDENT 94V-0 RATED, GLASS FILLED, NYLON OR POLYESTER, COLOR: BLACK.
CONTACTS: BRASS
INSERTS: ZINC
- ③ CONTACTS: GOLD PLATED FOR A LENGTH OF 3.81 [0.150] MIN FROM MATING END, 0.76 μm [0.000030] MIN GOLD IN MATED AREA, 2.54 μm [0.0001] MIN TIN FOR A LENGTH OF 3.68 [0.145] MIN FROM OPPOSITE END, BOTH OVER 1.27 μm [0.000050] MIN NICKEL.
INSERTS: CLEAR CHROMATE COATING.



5748873-1
PART NO

**COPYRIGHT 2005
 TYCO ELECTRONICS CORP
 ALL RIGHTS RESERVED**

THIS DRAWING IS A CONTROLLED DOCUMENT.		DWN G.PETERS	20SEP05	Tyco Electronics Corporation Harrisburg, PA 17105-3608
DIMENSIONS: mm [INCHES]		CHK S.BOLASH	20SEP05	
TOLERANCES UNLESS OTHERWISE SPECIFIED:		APVD M.WALMSLEY	20SEP05	NAME PLUG ASSEMBLY, SIZE 3, 25 POSN, ALL PLASTIC, RIGHT ANGLE, .590 SERIES, AMPLIMITE III
0 PLC ± -		PRODUCT SPEC 108-1226		SIZE CAGE CODE DRAWING NO A1 00779 C=5748873
1 PLC ± -		APPLICATION SPEC 114-40027		RESTRICTED TO -
2 PLC ± 0.13 [005]		WEIGHT -		SCALE 4:1 SHEET 1 OF 1 REV 0
3 PLC ± -		CUSTOMER DRAWING		
4 PLC ± -				
ANGLES ± z				
MATERIAL	FINISH			