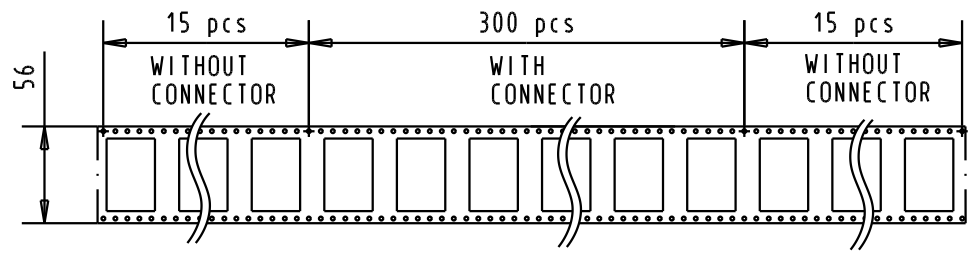
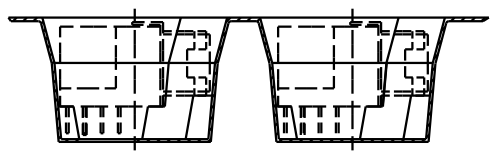
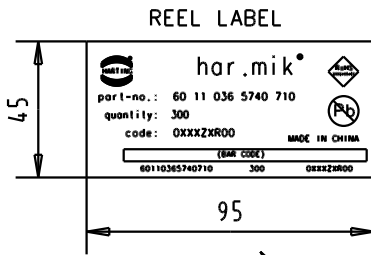
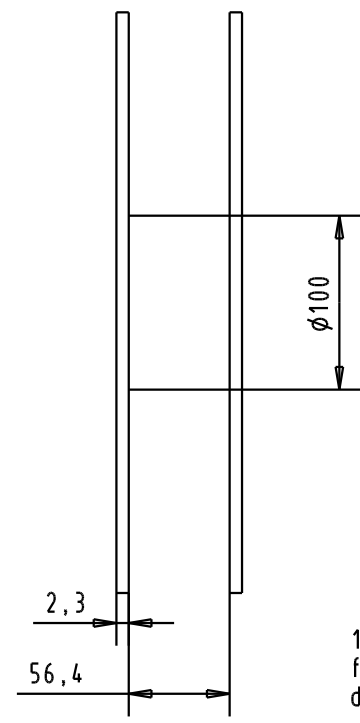
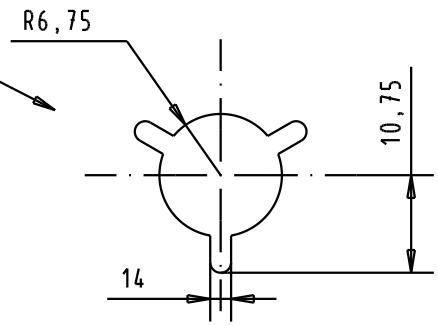
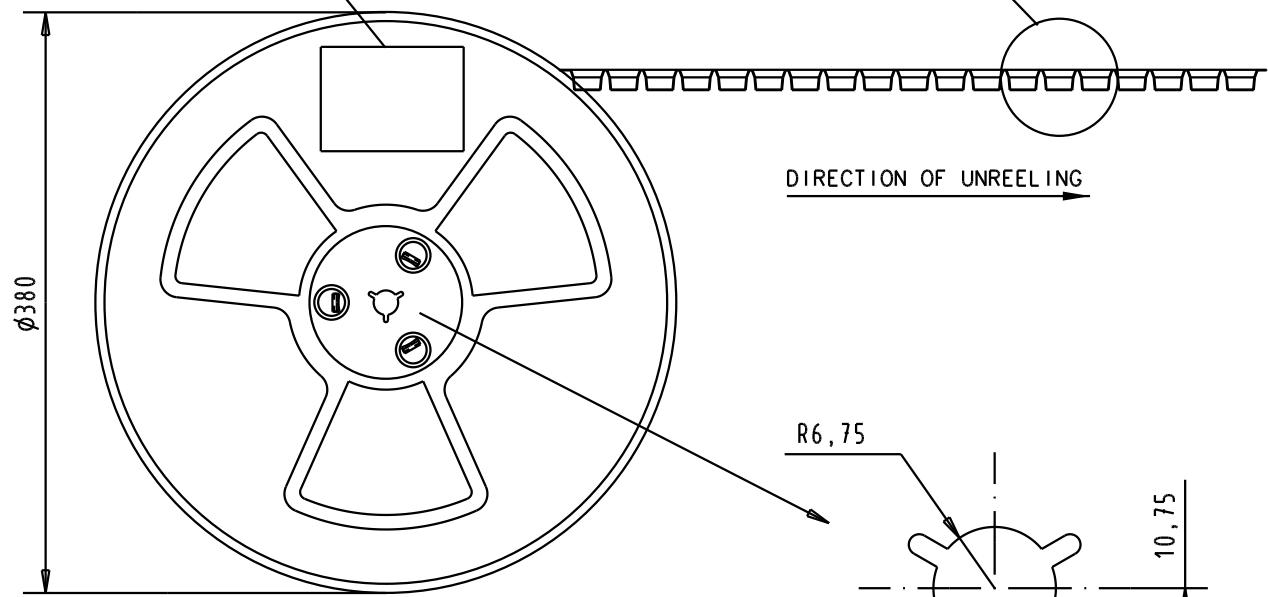




A



B

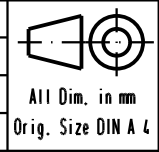


1) see TB 60 11 036 5740 folio 1/2 for connector dimensions and PCB layout

D

Packaging in accordance with EIA 481-2-A tape & reel packaging for grimping process

					Dat.	Name
					Detail.	180ct2006 ED
					Insp.	
					Stand.	



har.mik® I/O bellow
36 poles female SMC
with angled solder pins,
boardlocks, fixed latches
in reel unit packaging

Maßstab/
Scale

60 11 036 5740.710

in reel unit packaging
300 connectors

33811 180ct2006 ED

HARTING EURL
F-95972 Paris



TB 60 11 036 5740

Blatt/ Page

2 / 2

Part Number

Index Designation

Mod. Dat. Name

Sub.