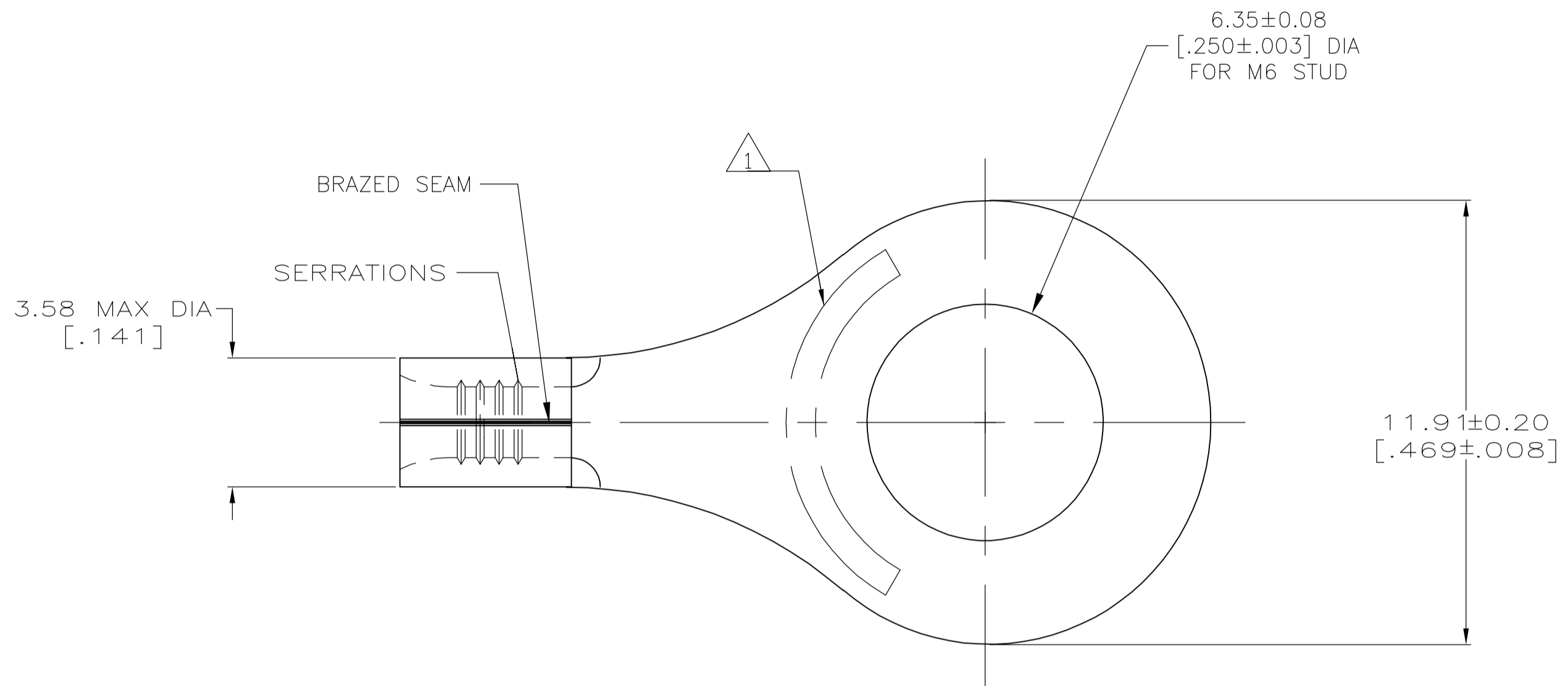


THIS DRAWING IS UNPUBLISHED. RELEASED FOR PUBLICATION
 © COPYRIGHT BY TYCO ELECTRONICS CORPORATION. ALL RIGHTS RESERVED.

LOC	DIST	REVISIONS			
P	LTR	DESCRIPTION	DATE	DWN	APVD
G	14	A1	REV PER ECR 06-011374	19MAY06	JR TM



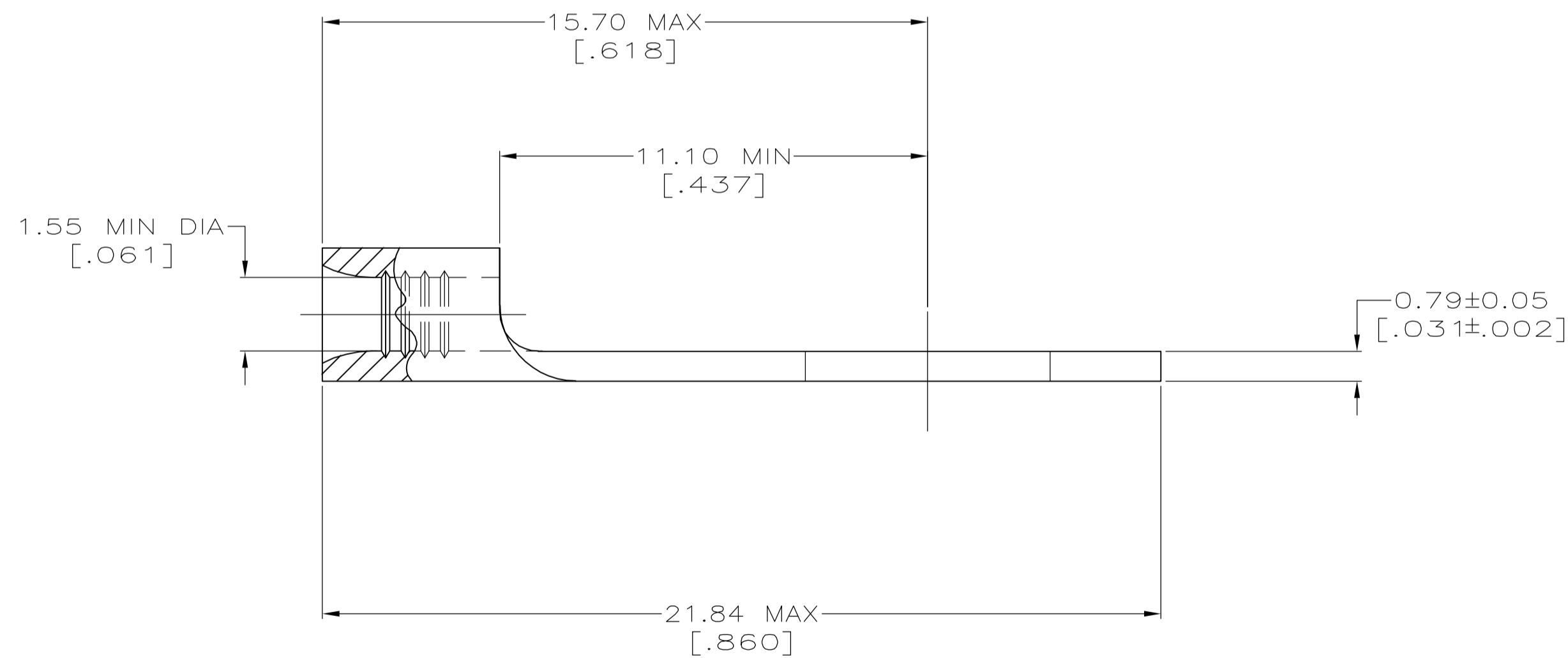
1 STAMP "AMP 22-18*" APPROX AS SHOWN, 22-16 TERMINALS ARE STAMPED 22-18 IN ACCORDANCE WITH MILITARY SPECIFICATION MIL-T-7928, COMMERCIAL WIRE RANGE IS 22-16.

2 MATERIAL: COPPER PER ASTM B-152, ANNEALED.

3 0.00254 [0.00100] MIN TIN PLATE PER ASTM B-545

4 MAX RECOMMENDED OPERATING TEMP 170°C MAX

5 0.26-1.65mm² [509-3,260] CMA, STRANDED



LOOSE PIECE	130058
PACKAGING TYPE	PART NO

THIS DRAWING IS A CONTROLLED DOCUMENT.		DWN	jr ruth	19MAY06	Tyco Electronics Corporation Harrisburg, PA 17105-3608
DIMENSIONS: MM [INCHES]		CHK	T MICHIELUTTI	19MAY06	
TOLERANCES UNLESS OTHERWISE SPECIFIED:		APVD	T MICHIELUTTI	19MAY06	
0 PLC ± - 1 PLC ± - 2 PLC ± - 3 PLC ± - 4 PLC ± - ANGLES ± 5°		PRODUCT SPEC	NAME		
MATERIAL		FINISH		APPLICATION SPEC	
- 2		- 3		-	
CUSTOMER DRAWING			WEIGHT	-	RESTRICTED TO
SCALE 8:1			SHEET 1 of 1	REV A1	