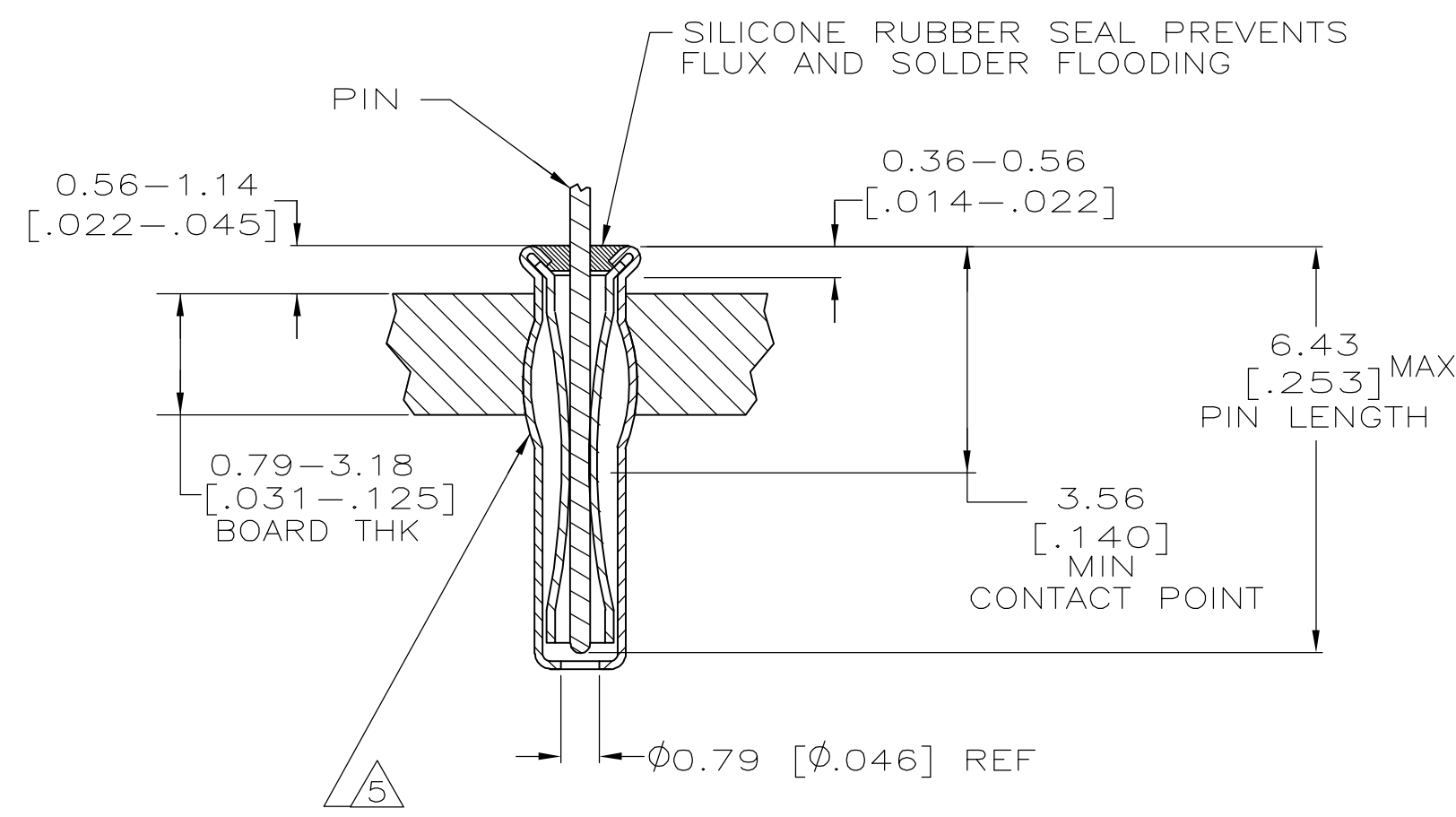
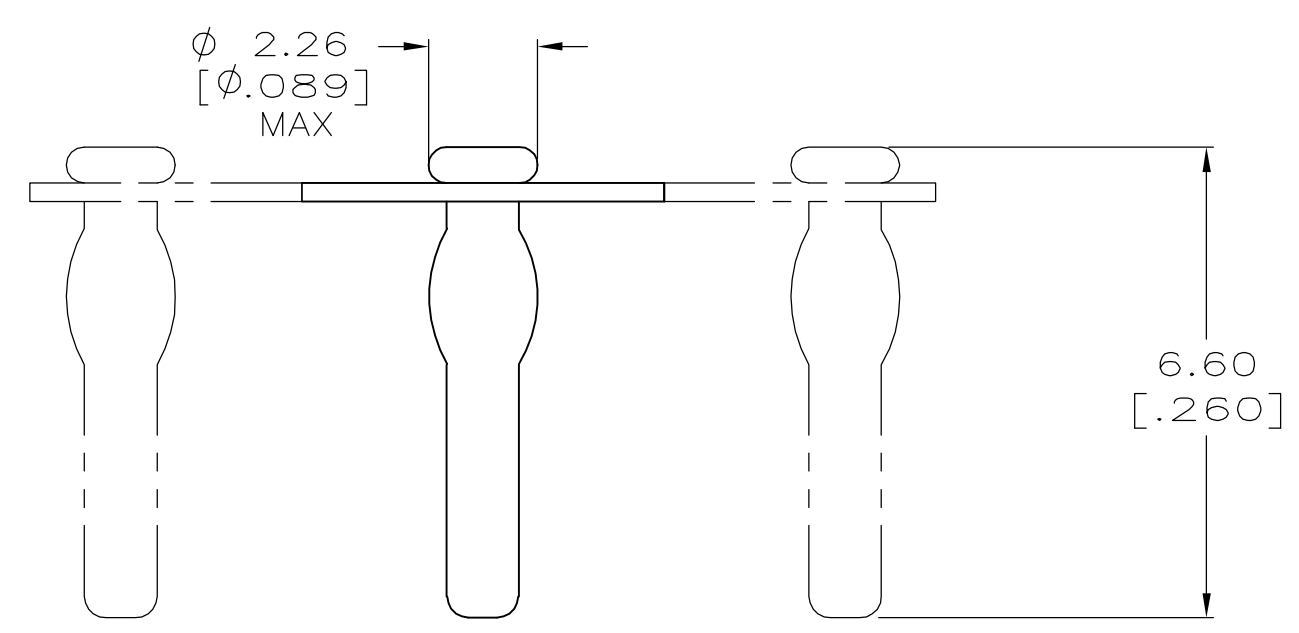
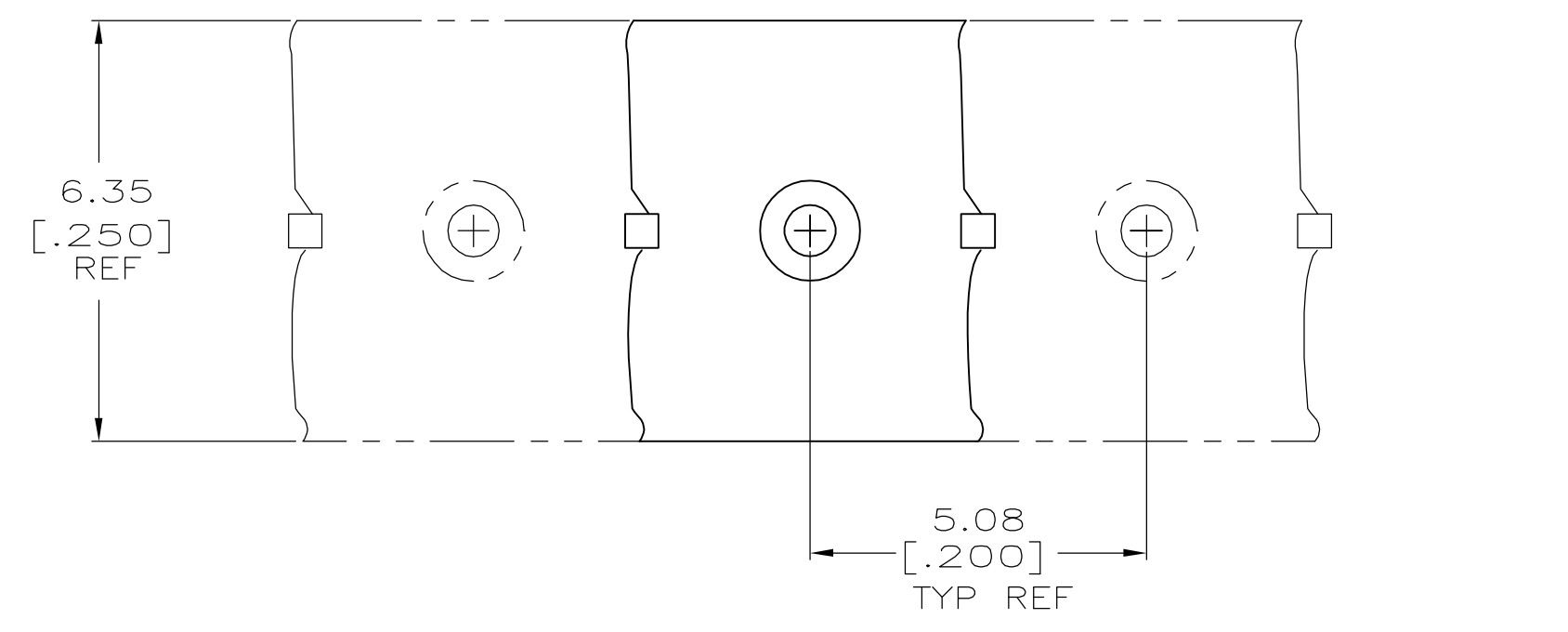


THIS DRAWING IS UNPUBLISHED. RELEASED FOR PUBLICATION
 © COPYRIGHT BY TYCO ELECTRONICS CORPORATION. ALL RIGHTS RESERVED.

| LOC | DIST | REVISIONS | | | | | |
|-----|------|-----------|-----|------------------------------|---------|-----|------|
| GP | 00 | P | LTR | DESCRIPTION | DATE | DWN | APVD |
| | | 0 | | RELEASED PER EC OS11-0045-05 | 15DEC05 | BM | JGH |



- 1 MATERIAL:
EYELET- COPPER PER ASTM B 152
SPRING- BERYLLIUM COPPER PER ASTM B 194.
SEALANT- SILICONE RUBBER
- 2 TIN PER ASTM B 545, 0.00254 [.000100] MIN THICK.
- 3. PACKAGE 10,000 PER REEL.
- 4 TO ENSURE 1/2 OZ MIN RETENTION, DO NOT EXCEED 0.05 [.002] DIFFERENCE IN PIN DIA WHEN CHANGING TO A SMALLER DIA PIN.
- 5 PRODUCT IS OVALIZED FOR RETENTION IN THE P.C. BOARD. THE RECOMMENDED HOLE DIAMETER IS Ø1.80 [Ø.071] MINIMUM, +0.08 [.003] MAX. PRIOR TO SOLDERING.

| | | | |
|------------------------|---------------|---------------|-------------|
| Ø0.86-1.04 [.034-.041] | 2 | 2 | 5645522-1 |
| 4 PIN DIAMETER | SPRING FINISH | EYELET FINISH | PART NUMBER |

| | | | | |
|--|---------------------|--|---|--------------------|
| THIS DRAWING IS A CONTROLLED DOCUMENT. | | DWN B. MCMASTER 15DEC05 | Tyco Electronics Corporation Harrisburg, PA 17105-3608 | |
| DIMENSIONS: mm [INCHES] | | CHK J. HAVENER 15DEC05 | APVD J. HAVENER 15DEC05 | |
| TOLERANCES UNLESS OTHERWISE SPECIFIED: | | NAME MINIATURE SPRING SOCKET ASSEMBLY, SERIES 4 | | |
| 0 PLC ± - | 1 PLC ± - | PRODUCT SPEC 108-14008 | | |
| 2 PLC ± - | 3 PLC ± 0.20 [.008] | APPLICATION SPEC 114-26004 | | |
| 4 PLC ± - | ANGLES ± - | SIZE CAGE CODE DRAWING NO A2 00779 C-5645522 | | |
| MATERIAL 1 | FINISH SEE TABLE | WEIGHT - | | RESTRICTED TO - |
| CUSTOMER DRAWING | | SCALE 10:1 | | SHEET 1 of 1 REV 0 |